

7. Display cases





Deli - Display cases Straight glass

Models	Description	Page
IDC-VBC9 RCP / SCP	Deli display cases	72
IDC-VBC12 RCP / SCP	Deli display cases	72
IDC-VBC15 RCP / SCP	Deli display cases	72
IDC-VBC18 RCP / SCP	Deli display cases	72
IDC-VBC25 RCP / SCP	Deli display cases	72
IDC-VBC90AA RCP / SCP	Deli display cases	72



Fish - Display cases

Models	Description	Page
IDC-VRP13	Fish display cases	73
IDC-VML 12	Fish display cases	73
IDC-VML 15	Fish display cases	73
IDC-VML 18	Fish display cases	73



Pastry - Display cases

Models	Description	Page
IDC-VBR9R	Pastry disp. cases curved glass	74
IDC-VBR12R	Pastry disp. cases curved glass	74
IDC-VBR18R	Pastry disp. cases curved glass	74
IDC-VBR9SS	Pastry disp. cases curved glass	74
IDC-VBR12SS	Pastry disp. cases curved glass	74
IDC-VBR18SS	Pastry disp. cases curved glass	74
IDC-VBR9PR	Pastry disp. cases straight glass	74
IDC-VBR12PR	Pastry disp. cases straight glass	74
IDC-VBR18PR	Pastry disp. cases straight glass	74
IDC-VBR9FG	Pastry disp. cases straight glass	75
IDC-VBR12FG	Pastry disp. cases straight glass	75
IDC-VBR18FG	Pastry disp. cases straight glass	75
IDC-VC09	Pastry disp. cases straight glass combo series	76
IDC-VC012	Pastry disp. cases straight glass combo series	76
IDC-VC015	Pastry disp. cases straight glass combo series	76
IDC-VC018	Pastry disp. cases straight glass combo series	76



Gelato - Display cases

Models	Description	Page
IDC-VAR12H	Gelato curved glass - Width 49-1/4" - 9.5 ft3	78
IDC-VAR15H	Gelato curved glass - Width 61-1/2" - 15.2 ft3	78
IDC-VAR18H	Gelato curved glass - Width 73-7/8" - 20.2 ft3	78
IDC-VAR12HFG	Gelato flat glass - Width 49-1/4" - 9.5 ft3	78
IDC-VAR15HFG	Gelato flat glass - Width 61-1/2" - 15.2 ft3	78
IDC-VAR18HFG	Gelato flat glass - Width 73-7/8" - 20.2 ft3	78



Specifications



Front bumper [VBC]



Anodized aluminium profile



VBC15R CP / S CP



VBR12R



VBR18 SS

VBC Supermarket display counter for meat and deli

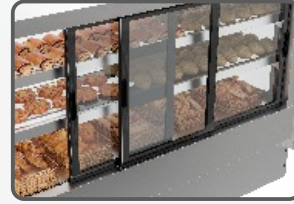
- Wide product range for all types of commercial sales
- Models without and with storage refrigerated to multiply the options of sales service
- Full visibility of display products
- Illuminated glass middle shelf
- Double row led lighting
- Designed specifically for meats and pre-cooked foods already packaged, delicatessen, dairy and sandwiches
- Ergonomic worktop in AISI304 stainless steel finish
- Exhibition area in AISI304 stainless steel
- Elevating front glass for easy access to exhibition and cleaning plan
- Structure and glass support in anodized aluminium profiles
- Temperature range: M1, M2 [ISO23953]

VBR Pastry display cases

- Flexibility of layout to combine different types of sales
- High capacity with four exposure levels
- Folding front tempered glass
- Interior exhibition in AISI304 stainless steel
- Glass shelves with anodized aluminium profile
- High pressure injected polyurethane insulation, CFC's free
- Front decoration in water-repellent DM high resistance lacquer
- Electronic control
- Automatic defrost
- 6000K led lighting on exposure, shelves and decorative
- Night curtain [SS model]



Night curtain [VBR SS]



Back doors [VBR R/PR]



VBR12PR

VC015

VCO dual service display cases for bakery

- Dual service: refrigerated and ambient temperature
- Neutral upper part for the display and sale of neutral bakery product
- Bottom part for self-service refrigerated product sales
- Perfect mix for cross-selling in your sales area
- High capacity with 2 display levels

Lower part

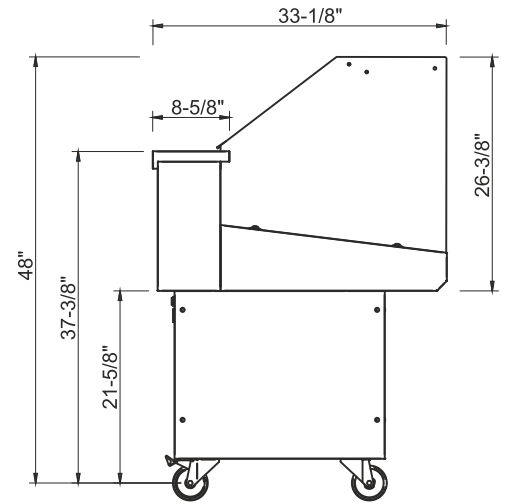
- Module with built-in group
- High capacity with two exposure levels
- Interior in epoxy painted steel
- Front & side decoration in water-repellent DM high resistance lacquer
- High pressure injected polyurethane insulation, CFC's free
- Electronic control
- Night curtain
- Automatic defrosting
- Led lighting cold white 6000K on exposition deck

Upper part

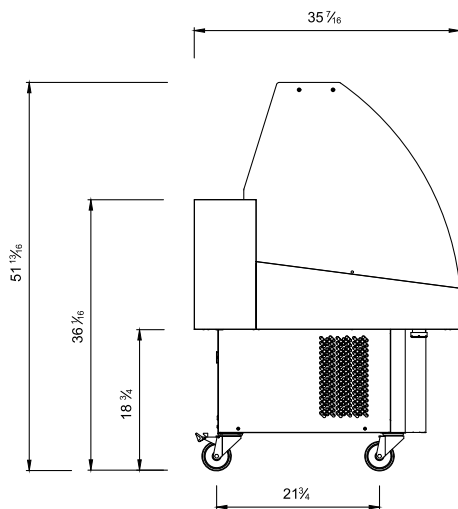
- Neutral module
- Tempered front glass
- Rear sliding doors
- Double side glass
- Glass top shelf
- Anodized aluminium profiles

Fish display cases

IDC-VRP 13



VRP



VML

IDC-VML15



7 DISPLAY CASES

MOD.	Overall Dimensions			°F	(ft ³)	(HP)	115V (Amps)	[Lbs]	DOE
IDC-VRP 13	51-31/32	33-15/32	50-13/64	30°F/34°F	4.06	1/3	4.9	342	Hydrocarbon R-290
IDC-VML 12	52-7/16	35-7/16	52-1/2	30°F/34°F	4.06	1/3	4.9	342	Hydrocarbon R-290
IDC-VML 15	64-3/4	35-7/16	52-1/2	30°F/34°F	8.40	1/2	7.6	401	Hydrocarbon R-290
IDC-VML 18	77-1/16	35-7/16	52-1/2	30°F/34°F	12.71	7/8	8.4	430	Hydrocarbon R-290

ELECTRICAL	Cord and NEMA 5- 15 plug	115V / 1 ph / 60 Hz.
-------------------	--------------------------	----------------------

Display the fish on crushed ice