

MODELS: AGB701CR
AGB701BTCR
GN 2/1 glass door reach in refrigerators and freezers. AGB 700 L series.

Strengths



AGB 701 BTCR

- ✓ **New line of glass door reach in refrigerators and freezers cabinets improved in design, robustness and maintaining the same capacity and high standards of quality and reliability in order to keep improving the energy class.**
- ✓ **Better energy class, due to the optimized circulation of the air for improved temperature uniformity in the interior.**
- ✓ **New doors design, which have automatic return hinges that keeps free when opening exceeds 95° and keep constant pressure during closure. Four chamber gasket easily replaceable.**
- ✓ **Greater precision in temperature control system with the new controller. Easier to adjust the temperature range we want to achieve.**
- ✓ **All the condensing units are 100% tested, in a Helium chamber for the detection of gas leakage.**
- ✓ **LED lighting incorporated, reducing energetic consumption.**
- ✓ **Infrico is audited and certified by the international organization AENOR in ISO 9001: 2015 (Quality); ISO 14001: 2015 (Environment); OSHAS 18001: 2007 (Worker Safety and Health) and by INTERTEK in accordance with UL 471 and NSF 7.**

MODELS	Dimensions (mm)			No Doors	No Shelves	Cabinet Volume (L)	Gross Volume (L)	Temperature regime (°C)	Ref.	Gas charge (gr.)	Net Weight (Kg)
	Length	Depth	Height place								
AGB701CR	687	794	2130	1	4	560	1162	-2°C / +6°C	R134a	350	165
AGB701BTCR	687	794	2130	1	4	560	1162	-18°C	R290	145	171

WE RESERVE THE RIGHT TO CHANGE SPECIFICATIONS WITHOUT PRIOR NOTICE

MODELS: AGB701CR
AGB701BTCR
GN 2/1 glass door reach in refrigerators and freezers. AGB 700 L series.
STANDARD CHARACTERISTICS
➤ Exterior

- AISI 304 Stainless Steel.
- Back of galvanized metal plate.
- Height adjustable control panel for an easy access to the cooling group.
- Adjustable legs up to 200 mm.

➤ Interior

- AISI 304 Stainless Steel,
- Wide rounded corners to aid cleaning,
- Drain inside the cabinet,
- Sealed sides.
- Interior LED lighting.

➤ Doors

- Doors with double low emissive hardened pane glass (4-27-4) and blocked opening spinning hinge.
- Sealed storm door with four-chamber easy-to-replace flat door gasket.
- It is possible to change the doors opening direction (AGB701CR),
- Door clearance of 580x1304 mm,

OPTIONAL

- Shelves,
- Casters,
- Changing-colour RGB LED lighting.
- Electrical connection 220 V / 1 ph / 60 Hz,
- Electrical connection 115 V / 1 ph / 60 Hz.

➤ Insulation

- Insulation by free CFC's polyurethane of thickness 75 mm, foam high-pressure injected with density 40 Kg/m³.
- Zero ODP and Low GWP.

➤ Shelves

- (4) interior shelves per door of 530x650 mm,
- Slides and shelves easily removable for cleaning.

➤ Refrigeration

- Temperature and defrost regulated by a digital touch controller IP 65.
- Monoblock compact refrigeration system.
- Ventilated cooling system.
- Forced evaporation system.
- Evaporative tray without electrical resistor for a better energy efficiency.
- Evaporators treated with anti-corrosion polyester Epoxy.
- Climatic class 4 (30°C, 55%RH).

➤ Electrical

- Electrical connection: 230 V / 1 ph / 50 Hz 

MODELS	Dimensions palletizing (mm)			Pallet weight (Kg.)	Power (W)	Comp. (HP)	Cooling power (W at -10/-30°C)	Consumption (kWh/24h)	Intensity (A)	Container 20'/40'/40'HC	Trailer
	Length	Depth	Height place								
AGB701CR	790	890	2200	177	497	3/8	464 (-10°C)	5,03	2,3	14 / 30 / 30	45
AGB701BTCR	790	890	2200	177	890	1	907 (-30°C)	11,70	3,5	14 / 30 / 30	45

WE RESERVE THE RIGHT TO CHANGE SPECIFICATIONS WITHOUT PRIOR NOTICE

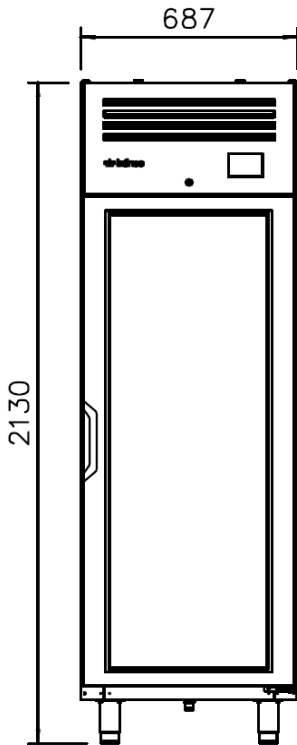
MODELS: **AGB701CR**

AGB701BTCR

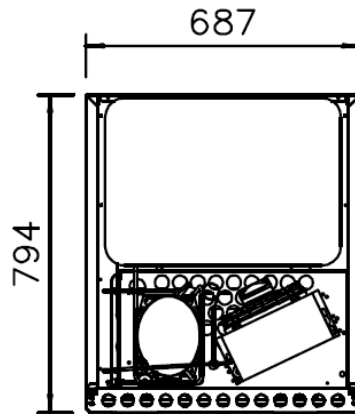
GN 2/1 glass door reach in refrigerators and freezers. AGB 700 L series.

GENERAL VIEW

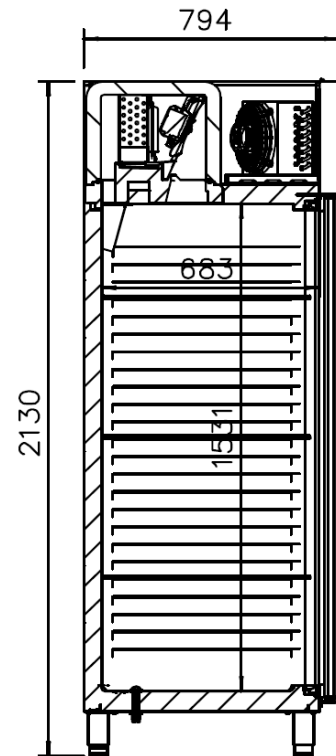
FRONT VIEW



TOP VIEW



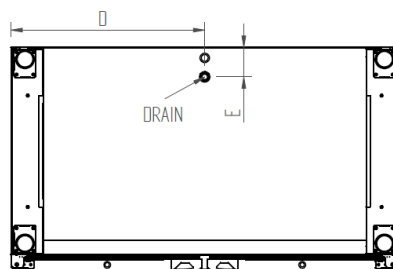
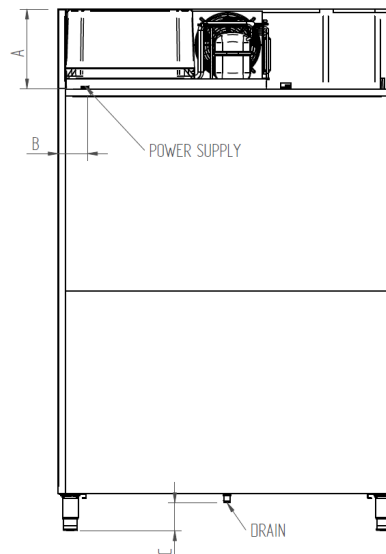
SIDE VIEW



AGB 701 CR / AGB 701 BTCR

CONNECTIONS

MODELS	A (mm)	B (mm)	C (mm)	D (mm)	E (mm)
AGB701CR/ AGB701BTCR	326	109	116	340	105



WE RESERVE THE RIGHT TO CHANGE SPECIFICATIONS WITHOUT PRIOR NOTICE