

MODELS: <b>BMPP1500GRBT</b>	<b>BMPP2000BTGR</b>	<b>TABLES:</b> <b>Pre-installed Cooling Table 600 Series</b>
-----------------------------	---------------------	---

### Strengths

- ✓ *New line of refrigerated tables improved in design, robustness and maintaining the same capacity and high standards of quality and reliability.*
- ✓ *Improvement of the energy classification, due to the optimized air circulation for a better temperature uniformity in the interior.*
- ✓ *New design double handle door for ease of use. In addition, they are equipped with hinges for automatic return and permanent pressure during closing. The automatic return is free when the opening exceeds 95°. Includes four-chamber "cleanless" flat strip easily removable.*
- ✓ *The new digital control easy and intuitive-touch screen IP65 protection has a greater precision in the control of the temperature.*
- ✓ *Infrico is AENOR audited and certified by internationally recognized firm. ISO 9001:2015 (Quality); ISO 14001:2015 (Environmental); OSHAS 18001:2007 (Prevention and Worker Safety). Audited and Certified by INTERTEK for compliance with UL 471 and NSF 7.*



**BMPP 1500 GRBT**

Not included group

MODELS	Dimensions (mm)			Nº Doors	Nº Shelves	Chamber Volume (L)	Gross Volume (L)	Temperature Range (°C)	Ref.	Ref. Weight (gr.)	Net Weight (Kg.)
	Width	Depth	High								
BMPP1500GRBT	1160	600	850	2	2 / 2	250	600	0 °C / +6°C	-	-	94
BMPP2000GRBT	1652	600	850	3	3 / 3	385	845	0 °C / +6°C	-	-	120

WE RESERVE THE RIGHT TO CHANGE SPECIFICATIONS WITHOUT PRIOR NOTICE

<b>MODELS: <span style="color: blue;">BMPP1500GRBT</span> <span style="color: blue;">BMPP2000BTGR</span></b>	<b>TABLES:</b> <i>Pre-installed Cooling Table 600 Series</i>
--	---

### STANDARD CHARACTERISTICS

#### ➤ Exterior

- AISI 304 Series Stainless Steel.
- Completely injected compact structure.
- Adjustable legs up to 200 mm, allowing total unit height of 900 mm.
- Worktop with sanitary backsplash of 100 mm and 50 mm of thickness.

#### ➤ Interior

- AISI 304 Series Stainless Steel.
- Wide rounded corners to aid cleaning.
- Drain inside the cabinet.

#### ➤ Doors

- Doors with integrated handle with double grip and pivoting hinge with opening lock,
- Interior of door inserted with a four-chamber door gasket easy to remove.
- Possibility of changing the opening direction of the doors,
- Door frames heated to prevent ice buildup,
- Door clearance of 375x520 mm.

#### ➤ Insulation

- Polyurethane insulation 70 mm thick, injected at high pressure free of CFC's with density 40 Kg / m3,
- Zero ODP and Low GWP.

#### ➤ Grates

- (1) 325x530 mm internal grate,
- Guides and grates easily removable for cleaning.

#### ➤ Refrigeration

- Temperature and defrost regulated by a digital touch controller IP 65.
- Forced Evaporation System,
- 3/8" connection tubes to the evaporator (capillary not included),
- Defrost by hot gas,
- Evaporators treated with anti-corrosion polyester Epoxy,

#### ➤ Electrical

- Electrical connection: 230 V / 1 ph / 50 Hz



#### OPTIONAL

- |  |   |   |
|--|---|---|
| <input type="checkbox"/> Grates,       | <input type="checkbox"/> Glass door (unit), | <input type="checkbox"/> Electrical connection 220 V / 1 ph / 60 Hz., |
| <input type="checkbox"/> Set of guides | <input type="checkbox"/> Expanse valve,     | <input type="checkbox"/> Electrical connection 115 V / 1 ph / 60 Hz.  |
| <input type="checkbox"/> Lock,         |   |   |

MODELS	Dimensions Palletizing (mm)			Crated Weight (Kg.)	Power (W)	Comp. (HP)	Cooling Power (W to -30°C)	Cons. (kWh/24h)	Inten. (A)	Container	
	Width	Depth	High							20' / 40' / 40' HC	Trailer
BMPP1500GRBT	1210	660	990	104	-	*	445	-	-	26 / 56 / 56	80
BMPP2000GRBT	1780	660	990	132	-	*	445	-	-	18 / 39 / 51	69

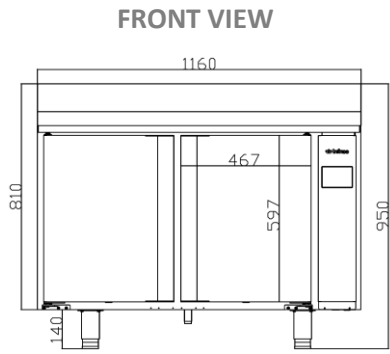
\* Consult recommended compressor.

WE RESERVE THE RIGHT TO CHANGE SPECIFICATIONS WITHOUT PRIOR NOTICE

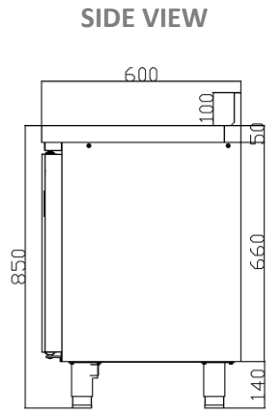
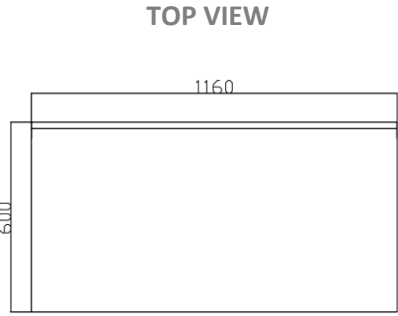
Review: 01 Date: 01/06/2018 BMPP1500BTGR, BMPP2000BTGR\_FT\_En\_0\_1

**MODELS: BMPP1500GRBT    BMPP2000BTGR    TABLES: Pre-installed Cooling Table 600 Series**

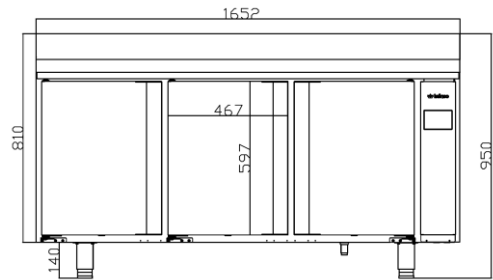
**GENERAL VIEW**



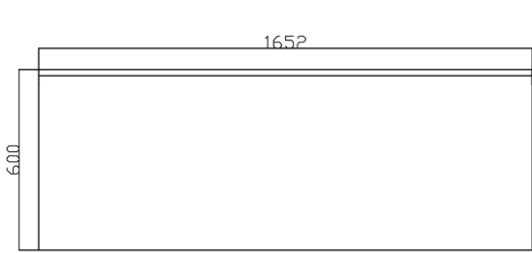
**BMPP 1500 GRBT**



**BMPP \_GRBT**

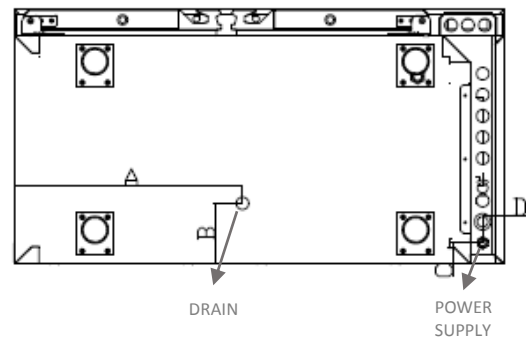


**BMPP 2000 GRBT**



**CONNECTIONS**

MODELS	A (mm)	B (mm)	C (mm)	D (mm)
BMPP1500GRBT	540	112	61,5	61,5
BMPP2000GRBT	787	112	61,5	61,5



Review: 01    Date: 01/06/2018    BMPP1500BTGR, BMPP2000BTGR\_FT\_En\_0\_1

WE RESERVE THE RIGHT TO CHANGE SPECIFICATIONS WITHOUT PRIOR NOTICE



**Infrico**  
 Ctra. de Aguilar A-318 por Moriles km. 15,5 - A-3132  
 14900 Lucena (Córdoba)  
 Spain

[www.infrico.com](http://www.infrico.com)  
 info@infrico.com  
 Tel. 00 34 957 51 03 03  
 Fax. 00 34 957 51 03 04

APPROVALS: \_\_\_\_\_

AVAILABLE AT: \_\_\_\_\_

