

MODELS: MB100CF2 MB100CF4 MB100CF3 MB100CF5 **BUFFET TABLE: Cold tank.**



MB100CF4

General Strengths

- ✓ **Infrico Buffet, has been designed to respond each of the users exigencies regarding the service and presentation of foods. Allowing independents areas in function the type of foods.**
- ✓ **All condenser units are tested 100%, in helium chambers to refrigerant leak detections.**
- ✓ **Control systems. Higher precision in managing temperature settings. Greater ability to adjust of temperature ranges as per the end user's requirement.**
- ✓ **LED lighting in the canopy and cabinet sides reduces the energy consumption by 80% and 90% compared to a traditional bulb. Provides a much better light quality.**
- ✓ **Infrico is AENOR audited and certified by internationally recognized firm. ISO 9001:2015 (Quality); ISO 14001:2015 (Environmental); OSHAS 18001:2007 (Prevention and Worker Safety). Audited and Certified by INTERTEK for compliance with UL 471 and NSF 7.**

Review: 01 Date: 29/08/2018 MB100CF2, MB100CF3, MB100CF4, MB100CF5_FT_En_0.1

MODELS	Dimensions (mm)			Nº Shelves	Nº Buckets	Cabinet Volume (L)	Gross Volume (L)	Power (W)	Temperature regime (°C)	Ref.	Gas charge (gr.)	Net Weight (Kg.)
	Length	Depth	Height									
MB100CF2	1100	1000	900	1	2	120	990	218	+2°C/+10°C	R452A	300	115
MB100CF3	1400	1000	900	1	3	180	1260	218	+2°C/+10°C	R452A	350	135
MB100CF4	1700	1000	900	1	4	206	1530	228	+2°C/+10°C	R452A	400	155
MB100CF5	2025	1000	900	1	5	258	1823	502	+2°C/+10°C	R452A	500	175

WE RESERVE THE RIGHT TO CHANGE SPECIFICATIONS WITHOUT PRIOR NOTICE



Infrico
 Ctra. de Aguilar A-318 por Moriles km. 15,5 - A-3132.
 14900 Lucena (Córdoba)
 Spain

www.infrico.com
info@infrico.com
 Tel. 00 34 957 51 03 03
 Fax. 00 34 957 51 03 04


APPROVALS: _____

AVAILABLE AT: _____



MODELS: MB100CF2 MB100CF3	MB100CF4 MB100CF5	BUFFET TABLE: Cold tank.
-------------------------------------	----------------------	---------------------------------

STANDARD FEATURES

- **Modular Line.** The range comprise neutral, refrigerated and hot elements. Modules come in 3 widths: 1100, 1400 and 1700 mm. Two depths are 830 and 1000 mm.
- **Exterior**
 - Shelf and worktop for dishes made in COMPAC,
 - Removable inferior base for all models,
 - Refrigerated tank with capacity for 3, 4 or 6 trays GN 1/1 with maximum depth of 200 mm.
 - Adjustable legs.
 - Standard glass structure.
 - Casters kit for all models.
 - Dishes shelves with LED lighting,
 - Removable sides for easy access,
 - Nata white standard top.
- **Interior**
 - AISI 304 Series Stainless Steel tank,
 - Wide rounded corners to aid cleaning.
- **Insulation**
 - Insulation by free CFC's polyurethane foam high-pressure injected with density 40 Kg/m³,
 - Zero ODP and Low GWP.
- **Refrigeration**
 - Temperature regulated by a digital controller,
 - Temperature range in cold tank +2°C/+10°C.
 - System of Ventilated Condensation,
 - System of Static Evaporation,
 - Climatic class 4 (30°C, 55%RH).
- **Electrical**
 - Electrical connection: 220 V / 1 ph / 50 Hz. 

- OPTIONAL**
- Different colours in worktops COMPAC (to consult),
 - Different colours in frontals (to consult),
 - Auxiliar units (to consult).
 - Glazing,
 - Electrical connection 220 V / 1 ph / 60 Hz,
 - Electrical connection 115 V / 1 ph / 60 Hz.

MODELS	Dimensions Palletizing (mm)			Crated Weight (Kg.)	Comp. (HP)	Cooling Power (W at -10°C)	Cons. (kWh/24h)	Intens. (A)	Container 20' / 40' / 40'HC	Trailer
	Width	Depth	High							
MB100CF2	1200	1100	1000	135	1/8	286	3,4	1,53	20 / 40 / 40	48
MB100CF3	1500	1100	1000	155	1/8	286	3,4	1,53	14 / 30 / 30	36
MB100CF4	1800	1100	1000	175	1/8	286	3,4	1,53	12 / 26 / 26	28
MB100CF5	2125	1100	1000	195	1/4	577	7,2	2,2	10 / 22 / 22	24

WE RESERVE THE RIGHT TO CHANGE SPECIFICATIONS WITHOUT PRIOR NOTICE



Infrico
 Ctra. de Aguilar A-318 por Moriles km. 15,5 - A-3132.
 14900 Lucena (Córdoba)
 Spain

www.infrico.com
 info@infrico.com
 Tel. 00 34 957 51 03 03
 Fax. 00 34 957 51 03 04

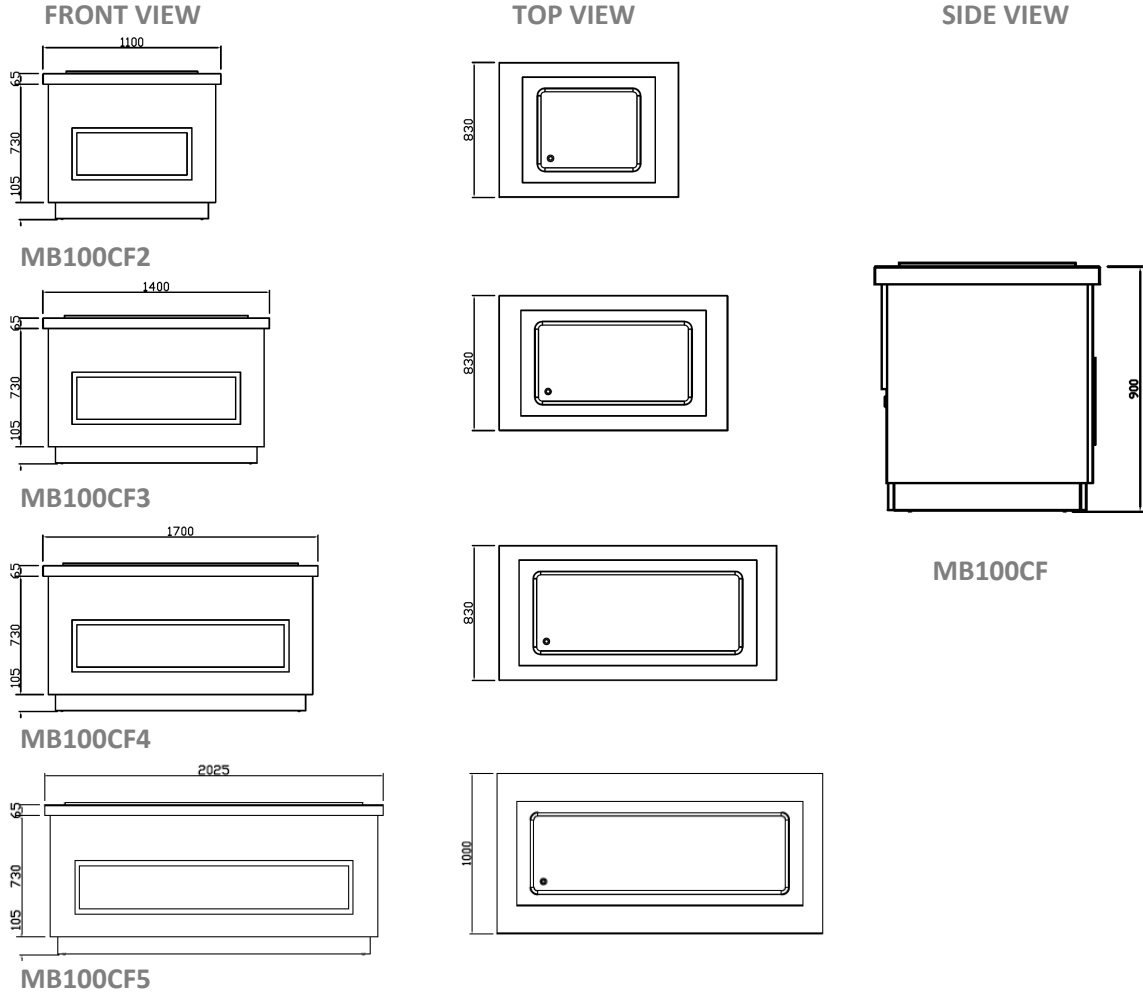
APPROVALS: _____

AVAILABLE AT: _____



MODELS: MB100CF2 MB100CF4 MB100CF3 MB100CF5 **BUFFET TABLE: Cold tank.**

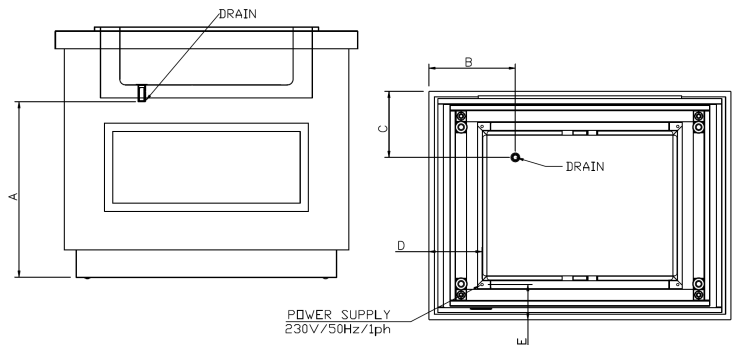
GENERAL VIEW



Review: 01 Date: 29/08/2018 MB100CF2, MB100CF3, MB100CF4, MB100CF5_FT_En.0.1

CONNECTIONS

MODELS	A (mm)	B (mm)	C (mm)	D (mm)	E (mm)
MB100CF2	637	315	325	194	213
MB100CF3	637	315	325	194	213
MB100CF4	637	315	325	194	213
MB100CF5	637	315	325	194	213



WE RESERVE THE RIGHT TO CHANGE SPECIFICATIONS WITHOUT PRIOR NOTICE



Infrico
 Ctra. de Aguilar A-318 por Moriles km. 15,5 - A-3132.
 14900 Lucena (Córdoba)
 Spain

www.infrico.com
info@infrico.com
 Tel. 00 34 957 51 03 03
 Fax. 00 34 957 51 03 04

APPROVALS:

AVAILABLE AT:

