

MODELS: **MB80CF2** **MB80CF4**
MB80CF3 **MB80CF5**

BUFFET TABLE: Cold tank.

General Strengths

- ✓ **Infrico Buffet, has been designed to respond each of the users exigencies regarding the service and presentation of foods. Allowing independents areas in function the type of foods.**
- ✓ **All condenser units are tested 100%, in helium chambers to refrigerant leak detections.**
- ✓ **Control systems. Higher precision in managing temperature settings. Greater ability to adjust of temperature ranges as per the end user's requirement.**
- ✓ **Infrico is AENOR audited and certified by internationally recognized firm. ISO 9001:2015 (Quality); ISO 14001:2015 (Environmental); OSHAS 18001:2007 (Prevention and Worker Safety). Audited and Certified by INTERTEK for compliance with UL 471 and NSF 7.**
- ✓ **Lighting. LED lighting in the canopy and cabinet sides reduces the energy consumption by 80% and 90% compared to a traditional bulb. Provides a much better light quality.**



MB80CF4

MODELOS	Dimensions (mm)			Shelves	Nº Buckets	Cabinet Volume (L)	Gross Volume (L)	Temperature regime (°C)	Ref.	Gas charge (gr.)	Net Weight (Kg.)
	Length	Depth	Height								
MB80CF2	1100	830	900	1	2	107	822	+2°C/+10°C	R452A	300	100
MB80CF3	1400	830	900	1	3	160	1046	+2°C/+10°C	R452A	350	120
MB80CF4	1700	830	900	1	4	213	1270	+2°C/+10°C	R452A	400	140
MB80CF5	2025	830	900	1	5	266	1513	+2°C/+10°C	R452A	500	160

WE RESERVE THE RIGHT TO CHANGE SPECIFICATIONS WITHOUT PRIOR NOTICE

**MODELS: MB80CF2 MB80CF4
 MB80CF3 MB80CF5**

BUFFET TABLE: Cold tank.

STANDARD FEATURES

➤ **Modular Line.** The range includes neutral, refrigerated and hot elements. Modules come in 3 widths: 1100, 1400, 1700 and 2025 mm. Two depths are 830 and 1000 mm.

➤ **Exterior**

- Shelf and worktop for dishes made in COMPAC.
- Removable inferior base for all models,
- Adjustable legs,
- Casters kit for all models,
- Dishes shelves with LED lighting,
- Removable sides for easy access,
- Nata white standard top.

➤ **Interior**

- AISI 304 Series Stainless Steel tank,
- Wide rounded corners to aid cleaning,
- In the humidity elements: easy entry of water and drain.

OPTIONAL

- Different colours in worktops COMPAC (to consult).
- Different colours in frontals (to consult).
- Auxiliar units (to consult).

➤ **Insulation**

- Insulation by free CFC's polyurethane foam high-pressure injected with density 40 Kg/m³,
- Zero ODP and Low GWP.

➤ **Trays**

- Refrigerated tank with capacity for 3, 4 or 6 trays GN 1/1 with maximum depth of 200 mm.
- Does not include GN ice trays.

➤ **Refrigeration**

- Temperature regulated by a digital controller,
- Temperature range in cold tank +2°C/+10°C.
- System of Ventilated Condensation,
- System of Static Evaporation,
- Evaporator coil coated with anti-corrosion material,
- Climate class 4 (30°C, 55HR).

➤ **Electrical**

- Electrical connection: 220 V / 1 ph / 50 Hz



- Glazing.
- Electrical connection 220 V / 1 ph / 60 Hz,
- Electrical connection 115 V / 1 ph / 60 Hz.

MODELS	Dimensions Palletizing (mm)			Crated Weight (Kg.)	Power (W)	Comp. (HP)	Cooling Power (W at -10°C)	Consumo (kWh/24h)	Intens. (A)	Container 20' / 40' / 40'HC	Trailer
	Length	Depth	Height								
MB80CF2	1200	930	1000	120	218	1/8	286	3,4	1,53	20 / 44 / 44	56
MB80CF3	1500	930	1000	140	218	1/8	286	3,4	1,53	14 / 30 / 30	46
MB80CF4	1800	930	1000	160	228	1/8	286	3,4	1,53	12 / 26 / 26	38
MB80CF5	2125	930	1000	180	502	1/4	577	7,2	2,2	12 / 24 / 24	28

WE RESERVE THE RIGHT TO CHANGE SPECIFICATIONS WITHOUT PRIOR NOTICE



Infrico
 Ctra. de Aguilar A-318 por Moriles km. 15,5 - A-3132.
 14900 Lucena (Córdoba)
 Spain

www.infrico.com
 info@infrico.com
 Tel. 00 34 957 51 03 03
 Fax. 00 34 957 51 03 04

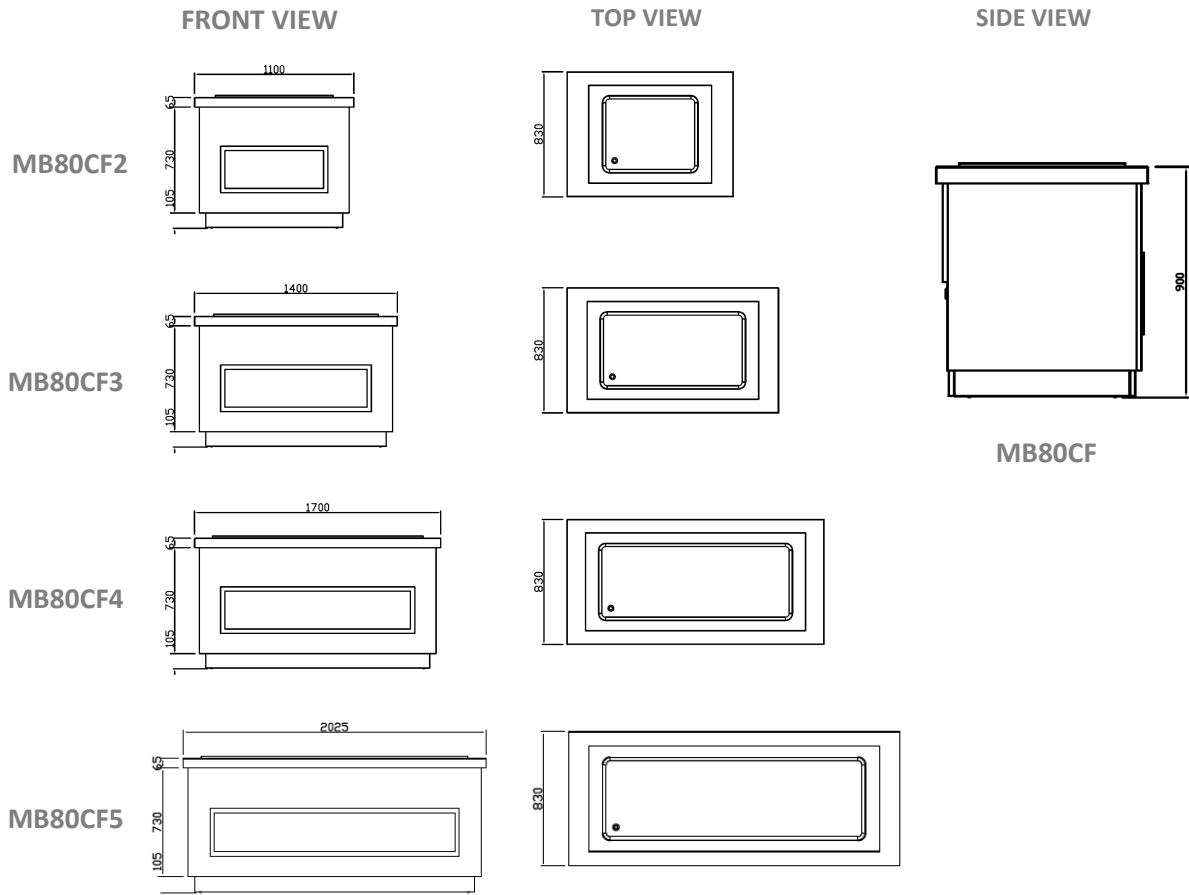
APPROVALS: _____

AVAILABLE AT: _____



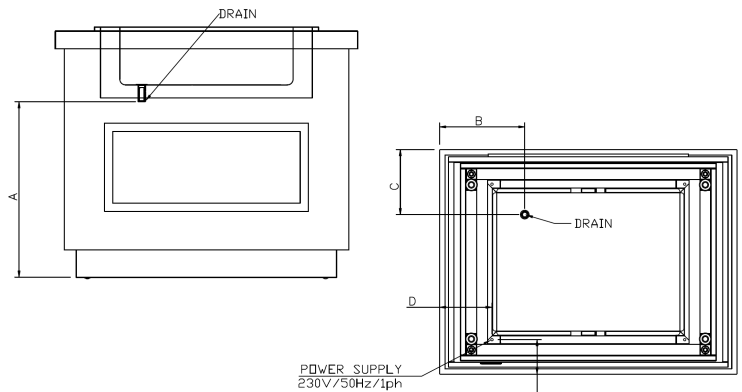
MODELS: MB80CF2 MB80CF4
MB80CF3 MB80CF5 **BUFFET TABLE: Cold tank.**

GENERAL VIEW



CONNECTIONS

MODELS	A (mm)	B (mm)	C (mm)	D (mm)	E (mm)
MB80CF2	637	315	240	194	128
MB80CF3	637	315	240	194	128
MB80CF4	637	315	240	194	128
MB80CF5	637	315	240	194	128



WE RESERVE THE RIGHT TO CHANGE SPECIFICATIONS WITHOUT PRIOR NOTICE