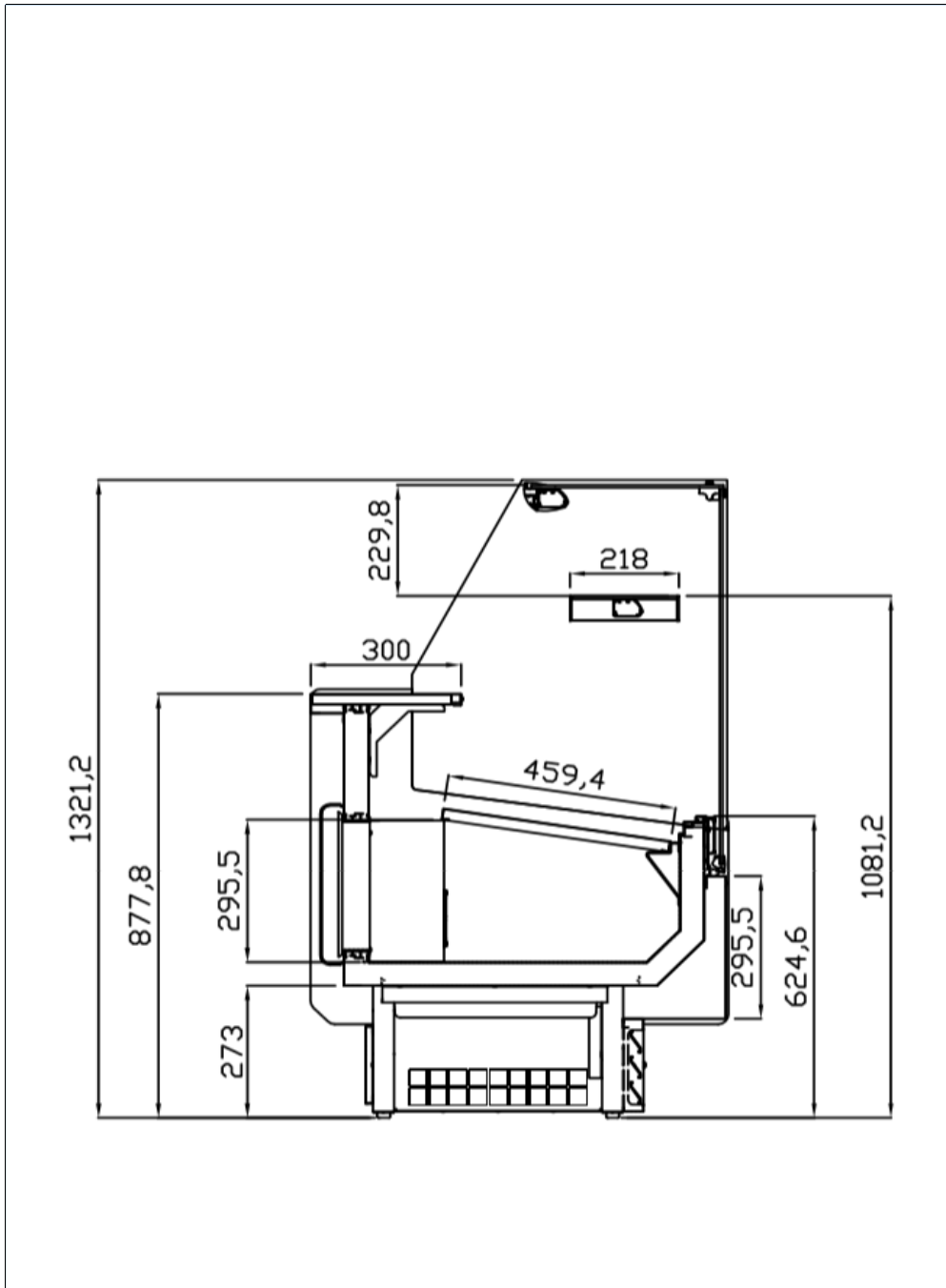




VAL 18CP

NUMBER	18499
MODEL	VAL_CP
EDITION	0
DATE	14/07/2018
VERSION	00





MODEL

VAL_CP

MODULES

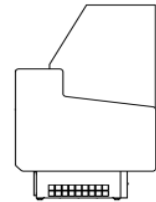
Edition : 0 | Date: 14/07/2018

Code : 18499

version: 00

In accordance with:
EN ISO 23953

SIDES



MERCHANDISING DATA

	MODELS					
	VAL9P	VAL12P	VAL15P	VAL18P	VAL25P	VAL28P
Length without sides (mm)	938	1250	1562	1875	2500	2812
Sides thickness (mm)	30 + 30					
Refrigerant	R-134a					
Refrigerated area (m ²)	0,42	0,56	0,70	0,84	1,13	1,27
Useful volume (Its.)	154	205	256	308	410	461
TDA - Total Display Area (m ²)	0,53	0,70	0,87	1,05	1,40	1,57
N° of shelves	OPC					
Control	DIGITAL					
Weight (kg)	100	112	121	157	187	210
Transport dimensions (mm)	923 x 1480 x 1028	923 x 1480 x 1340	923 x 1480 x 1652	923 x 1480 x 1965	923 x 1480 x 2590	923 x 1480 x 2902

Volts / Frequency
220v / 50Hz.

NOISE LEVEL
63dB

REFRIGERANT
R-134a

MODEL
VAL CP

REFRIGERATION DATA - REGULATION AND CONTROL

INTERIOR TEMPERATURE	SET	2°C
	DIFFERENCIAL	32C
DEFROST TYPE	NATURAL	
Nº DEFROST / DAY	12	
MAXIMUM DEFROST TIME	20'	
END DEFROST TEMPERATURE		
MINIMUM DEFROST TIME	20'	

In accordance with EN ISO23953

Room Temperature	Relative humidity	Climate class
+25 °C	60 %	4

TEMPERATURE CLASSIFICATION

	Climate class	4
PRODUCT TEMPERATURE	2°C/6°C	
MEDIUM PRODUCT TEMPERATURE	5°C	
EVAPORATION	SEMI-STATIC	
CONDENSATION	VENTILATED	
EVAPORATION TRAY	MANUAL	

INSTALLATION BASE FURNITURE DATA

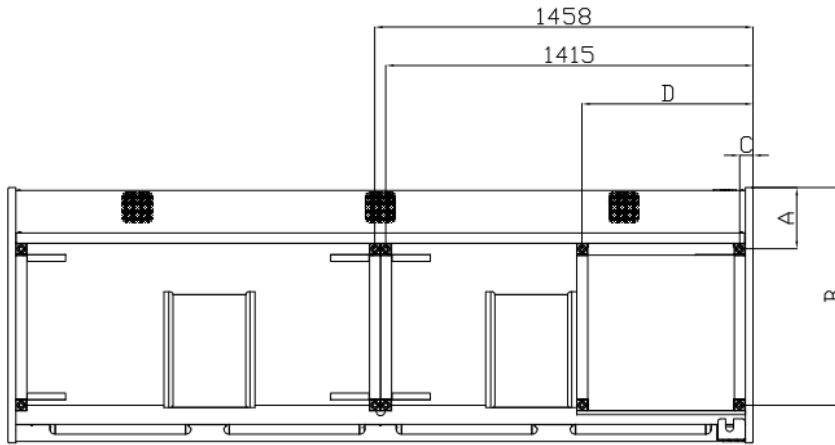
Length (mm)		MODEL						
		VAL9P	VAL12P	VAL15P	VAL18P	VAL25P	VAL28P	
	Nº	1	1	1	1	1	1	
	W	231	317	355	493	507	575	
	A	1,47	1,95	2,24	3,85	3,05	2,96	
COMPRESSOR								
REFRIGERANT		R-134a						
	gr	190	180	250	240	240	310	
EVAPORATOR FANS	Nº	1	1	1	2	2	2	
	W	19	19	19	38	38	38	
	A	0,08	0,08	0,08	0,16	0,16	0,16	
CONDENSER FANS	Nº	1	1	1	1	1	1	
	W	36	36	36	36	36	36,00	
	A	0,25	0,25	0,25	0,25	0,25	0,25	
EVAPORATION RESISTANCE	W	-	-	-	-	-	-	
	A	-	-	-	-	-	-	
CANOPY LIGHTING	LED	W	18	24	30	36	48	54
		A	0,07	0,10	0,13	0,16	0,20	0,23
POWER		W	300	380	410	470	630	690
		A	1,3	1,65	1,78	2,08	2,74	3,00
CONSUMPTION	kWh/24h		5,1	5,4	6,1	6,4	9,6	9,60

OPTIONAL INSTALLATION DATA

Length (mm)		MODEL						
		VAL9P	VAL12P	VAL15P	VAL18P	VAL25P	VAL28P	
	W	18	24	30	36	48	54	
LIGHTING SHELF (x line)	LED	A	0,07	0,10	0,13	0,16	0,21	0,23

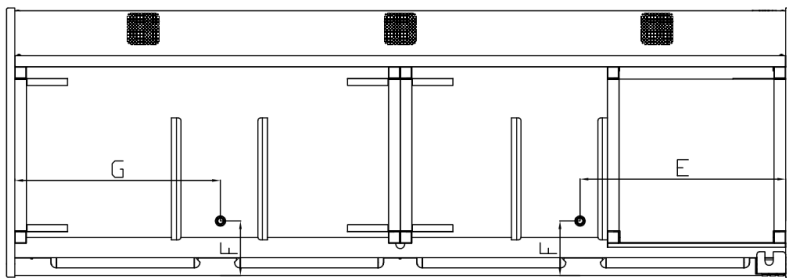
LEGS | WHEELS

MODEL
VAL_CP



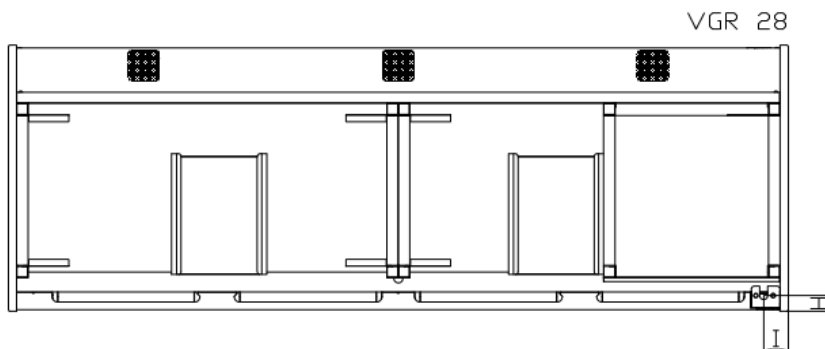
VGR 28

DRAINS



VGR28 P

ELECTRIC BOX



VGR 28



DATA TABLE

	A (mm)	B (mm)	C (mm)	D (mm)	E (mm)	F (mm)	G (mm)	H (mm)	I (mm)
VGR9 P	238	845	51	947	-	200	171	90	57
VGR12 P	238	845	51	660	-	200	171	90	57
VGR15 P	238	845	51	660	781	200	-	90	57
VGR18 P	238	845	51	660	720	200	-	90	57
VGR25 P	238	845	51	660	720	200	604	90	57
VGR28 P	238	845	51	660	720	200	750	90	57