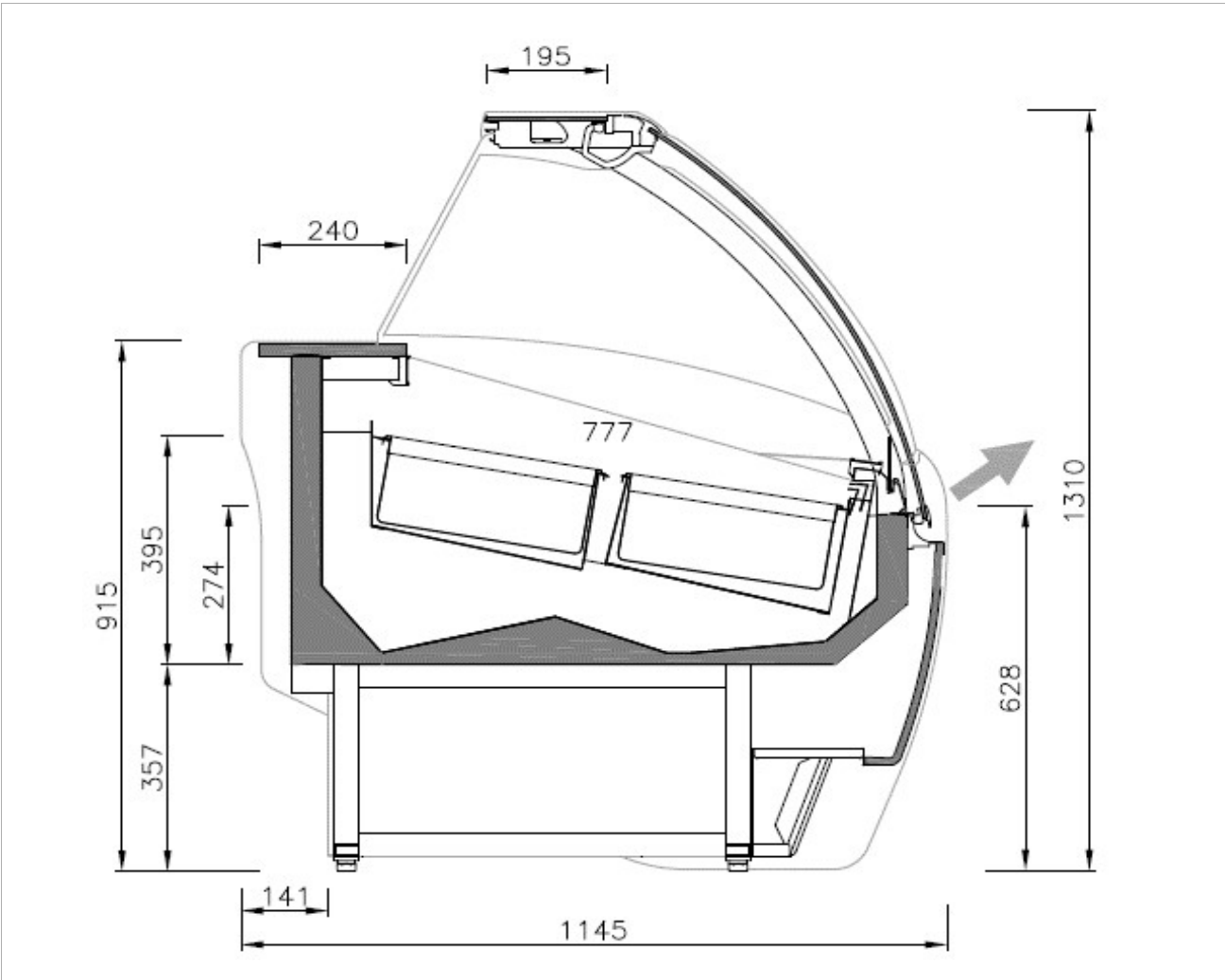


Data Sheet



Model:
VAR_H+

VAR_H+



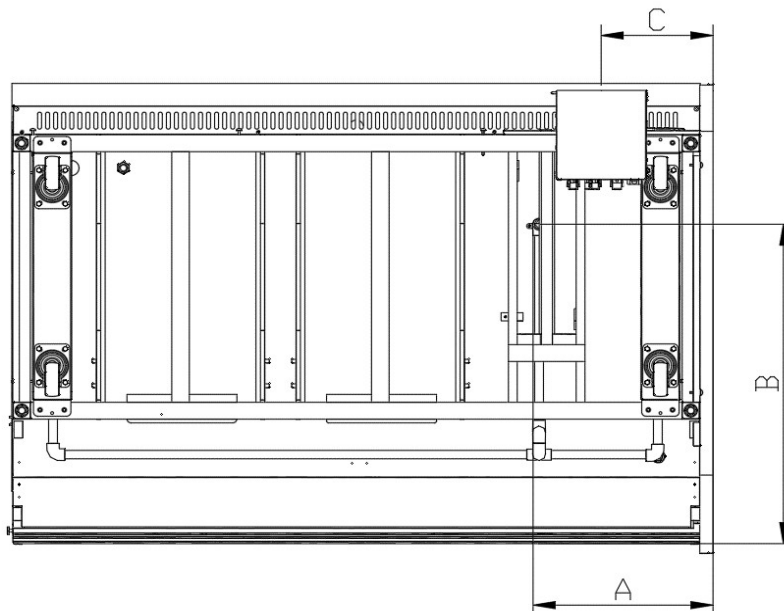
GENERAL DATA

	MODEL		
	VAR12H+	VAR15H+	VAR18H+
	L1	L1	L1
LENGTH (mm)	1200	1562	1875
SIDE WALL THICKNESS (mm)	30+30		
NUMBER OF SELVES	14	16	20
ELECTRONIC CONTRL	DIGITAL		
REFRIGERATED AREA (m ²)	0,96	1,2	1,44
USEABLE VOLUME (lts.)	182	228	274
TDA - AREA TOTAL DISPLAY (m ²)	0,85	1,06	1,27
WEIGHT (kg)	263	328	358
DIMESIONS IN TRANSPORT (mm)	1562 x 1212 x 1415	1562 x 1212 x 1730	1562 x 1212 x 2040

INSTALLATION DETAILS

DATA TABLE	MODEL	1250	1562	1875
	A (mm)	410	410	410
B (mm)	753	753	753	
C (mm)	255	255	255	

DRAINAGE



TECHNICAL CONFIGURATION

		L1 [-15°C/-18°C]
INTERIOR TEMPERATURE	SET POINT	-18°C
	DIFFERENTIAL	3°C
DEFROSTING SYSTEM		GAS CALIENTE
NUMBER OF DEFROSTS / 24h		4
END OF DEFROSTING TEMPERATURE		5°C
MAXIMUM DEFROSTING TIME		15'

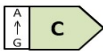


In compliance with EN ISO23953-1/-2

Ambient Temp.	Relative Humidity	Climatic Class
+25 °C	60 %	3

EVAPORATION	VENTILATED
CONDENSATION	VENTILATED
EVAPORATION WATER COLLECTION TRAY	AUX.

VOLTAGE	220 V/50 Hz
SOUND LEVEL	63dB

INSTALLATION DATA

BASE EQUIPMENT Length (mm)		MODEL					
		VAR12H+		VAR15H+		VAR18H+	
COMPRESSOR	Nº	1	1	1	1	1	
	W	596	412	596	412	596	
	A	3,46	2,2	3,46	2,2	3,46	
REFRIGERANT	Tipo	R-290					
	gr	150	120	140	120	150	
COIL FANS	Nº	2	3		5		
	W	4,8	4,8		4,8		
	A	0,04	0,04		0,04		
CONDENSATOR FANS	Nº	2	2		2		
	W	25	25		25		
	A	0,425	0,425		0,425		
ANTIVAHQ RESISTANCE	W	336	420		504		
	A	1,46	1,8		2,19		
	W	28,34	43,10		51,46		
CANOPY LIGHTING	A	0,12	0,19		0,22		
	W	1020	1536		1637		
	A	5,97	8,64		9,13		
ENERGY CONSUMPTION	kWh/24h	19,70	28,90		30,80		
ENERGY EFFICIENCY CLASS	[A-G]						

OPTIONAL EQUIPMENT Length (mm)		MODEL					
		VAR12H+		VAR15H+		VAR18H+	
COIL FANS (High Efficiency)	Nº						
	W						
	A						
CONDENSATOR FANS (High Efficiency)	Nº						
	W						
	A						
SCC "CONDENSATION CONTROL SYSTEM"	W						
	A						
	W						
SHELVES LIGHTING	A						
	W						
VERTICAL LIGHTING	A						
	W						
EVAPORATION HEATERS	W						
	A						