

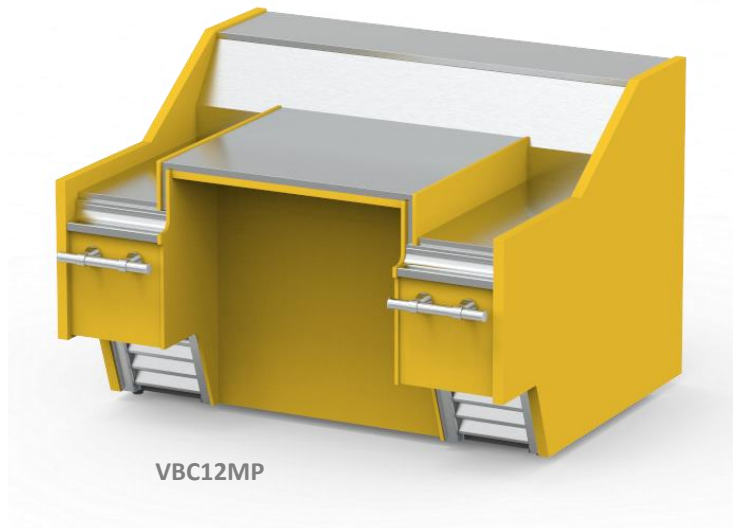
MODELS: VBC9CP VBC12MP	VBC15MP VBC12MHDP	Counter Case - Barcelona Serie.
---	------------------------------------	--

Strengths

- ✓ Infrico is AENOR audited and certified by internationally recognized firm. ISO 9001:2015 (Quality); ISO 14001:2015 (Environmental); OSHAS 18001:2007 (Prevention and Worker Safety). Audited and Certified by INTERTEK for compliance with UL 471 and NSF 7.



VBC9CP



VBC12MP

MODELS	Dimensions (mm)			Sides thickness (mm)	Exposure surface (m ²)	Gross volume (L)	Power (W)	(V) / Frequency (Hz)	Dimensions Palletizing (mm)			Pallet weight (Kg.)
	Length	Depth	Height						Length	Depth	Height	
VBC9CP	938	1150	906	30 + 30	0,81	977	5	230 / 50	1100	1200	1110	
VBC12MP	1250	1150	906	30 + 30	1,1	1302	6	230 / 50	1400	1200	1110	
VBC15MP	1562	1150	906	30 + 30	1,35	1627	7,5	230 / 50	1712	1200	1110	
VBC12MHDP	1250	1150	906	30 + 30	1,2	1302	2	230 / 50	1400	1200	1110	

MODELS: VBC9CP VBC12MP	VBC15MP VBC12MHDP	Counter Case - Barcelona Serie.

STANDARD FEATURES

➤ **Exterior**

- Laminated steel plate
- Worktop and supports handbags in AISI 304 stainless steel,
- DM lacquered decoration.

➤ **Interior**

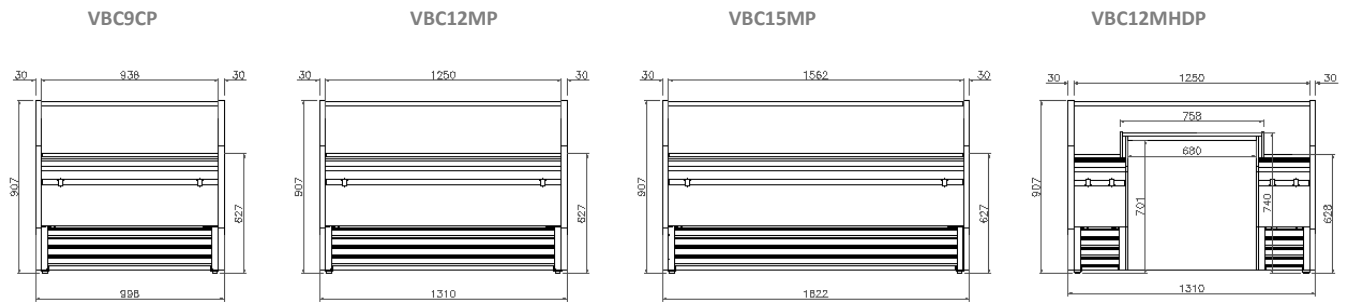
- Base of enamelled steel tube,
- Structure and rear shelf laminated wood.

➤ **Range of colours to choose:**

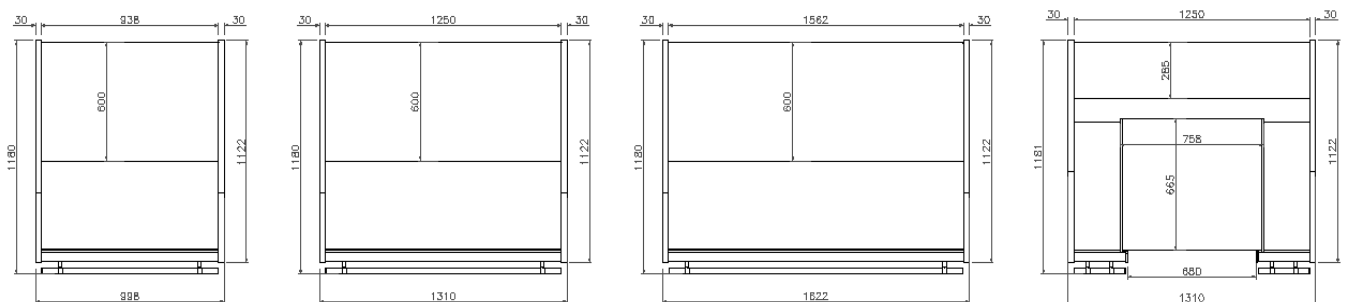
- Granate RAL 3003 | Rojo RAL 3020 | Rosa RAL DESIGN 3504035 | Naranja RAL 2003 | Amarillo RAL 1018 | Beige RAL 1001 | Azul RAL 5015 | Celeste RAL DESIGN 2108025 | Verde Oscuro RAL 6002 | Violeta RAL 4007 | Pistacho RAL DESIGN 1107060 | Blanco RAL 9016 | Negro RAL 9017 | Nogal | Wenge,

GENERAL VIEW

FRONT VIEW



TOP VIEW



SIDE VIEW

