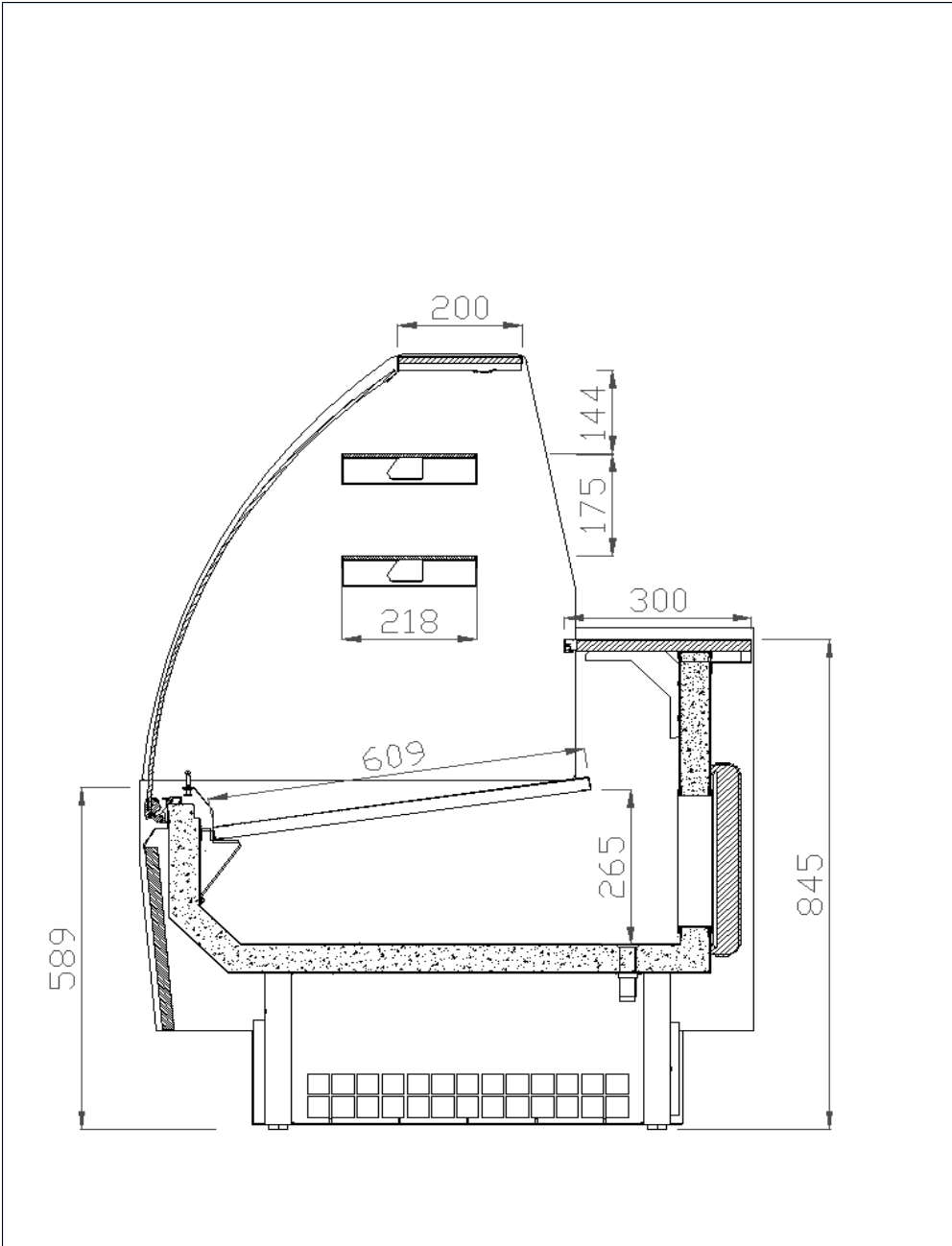


NUMBER	DTI-19600
MODEL	VGL_C
EDITION	0
DATE	02/04/2019
VERSION	00





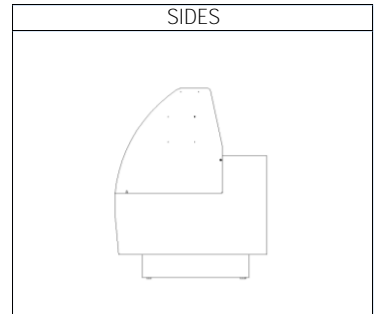
MODEL	
VGL_C	
MODULES	

Edition : 0 | Date: 02/04/2019

Code : DTI-19600

version: 00

In accordance with:  
EN ISO 23953



MERCHANDISING DATA

	MODELS				
	VGL9C	VGL12C	VGL15C	VGL18C	VGL25C
Length without sides (mm)	938	1250	1562	1875	2500
Sides thickness (mm)	30 + 30				
Refrigerant	R-134a				
Refrigerated area (m <sup>2</sup> )	0,90	1,20	1,50	1,80	2,40
Useful volume (lts.)	343	458	572	686	915
TDA - Total Display Area (m <sup>2</sup> )	0,65	0,86	1,08	1,29	1,73
N° of shelves	2				
Control	DIGITAL				
Weight (kg)	175	220	240	265	287
Transport dimensions (mm)	1118 x 1055 x 1135	1430 x 1055 x 1135	1742 x 1055 x 1135	2055 x 1055 x 1135	2680 x 1055 x 1135
Rear sliding doors	OPCIONAL				

Technical Data - STORE CONDITIONS
220v / 50Hz.

Volts / Frequency
63dB

NOISE LEVEL
R-134a

MODEL
VGL C

REFRIGERATION DATA - REGULATION AND CONTROL

INTERIOR TEMPERATURE	SET	+4°C
	DIFFERENCIAL	2°C
DEFROST TYPE	NATURAL	
Nº DEFROST / DAY	8	
MAXIMUM DEFROST TIME	15'	
END DEFROST TEMPERATURE	-	
MINIMUM DEFROST TIME	15'	

In accordance with EN ISO23953

Room Temperature	Relative humidity	Climate class
+25 °C	60 %	3

TEMPERATURE CLASSIFICATION

Climate class		3
PRODUCT TEMPERATURE	-1 / +7 °C	
MEDIUM PRODUCT TEMPERATURE	+4/+8°C	
EVAPORATION	SEMI-STATIC	
CONDENSATION	VENTILATED	
EVAPORATION TRAY	MANUAL	

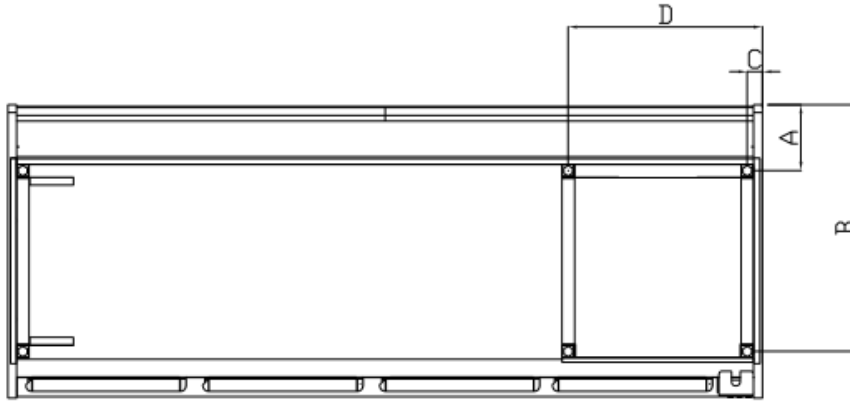
INSTALLATION BASE FURNITURE DATA

Length (mm)		MODEL					
		VGL9C	VGL12C	VGL15C	VGL18C	VGL25C	
COMPRESSOR	Nº	1	1	1	1	1	
	W	261	323	355	440	507	
	A	1,92	2,25	2,24	2,78	3,05	
REFRIGERANT	R-134a						
	gr	190	180	250	240	240	
EVAPORATOR FANS	Nº	1	1	1	2	2	
	W	15	15	15	15	15	
	A	0,12	0,12	0,12	0,12	0,12	
CONDENSER FANS	Nº	1	1	1	1	1	
	W	36	36	36	36	36	
	A	0,25	0,25	0,25	0,25	0,25	
EVAPORATION RESISTANCE	W	-	-	-	-	-	
	A	-	-	-	-	-	
CANOPY AND SHELVES LIGHTING	LED	W	23	30	37	45	60
		A	0,10	0,14	0,17	0,20	0,27
POWER	W	335	404	443	551	633	
	A	2,39	2,76	2,78	3,47	3,81	
CONSUMPTION	kWh/24h	5,1	5,4	6,1	6,4	9,6	

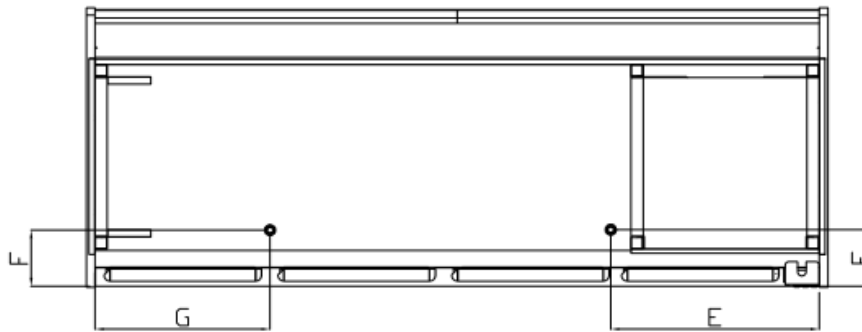
LEGS | WHEELS

MODEL

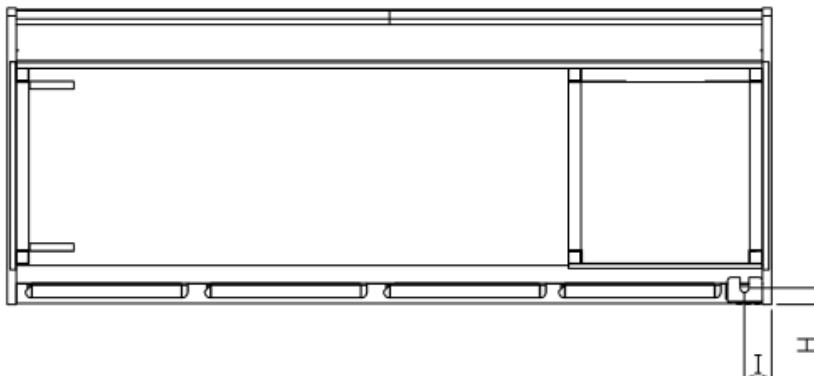
VGL\_C



DRAINS



ELECTRIC BOX



DATA TABLE

	A (mm)	B (mm)	C (mm)	D (mm)	E (mm)	F (mm)	G (mm)	H (mm)	I (mm)
VGL9	221	829	52	896	-	199	168	90	61
VGL12	221	829	52	608	-	199	168	90	61
VGL15	221	829	52	608	-	199	781	90	61
VGL18	221	829	52	608	713	199	-	90	61
VGL25	221	829	52	608	720	199	604	90	61