

MODELS: VMC9R VMC12R	VMC15R VMC18R	VMC25R	Mallorca series – Ventilated with storage.
---------------------------------------	--------------------------------	---------------	---

Strengths

- ✓ **Greater precision in temperature control. Easier to adjust the temperature range we want to achieve.**
- ✓ **All condenser units are tested 100%, in helium chambers to refrigerant leak detections.**
- ✓ **LED lighting incorporated, reducing energetic consumption between 80% and 90% respect to a traditional light bulb.**
- ✓ **Infrico is AENOR audited and certified by internationally recognized firm. ISO 9001:2015 (Quality); ISO 14001:2015 (Environmental); OSHAS 18001:2007 (Prevention and Worker Safety). Audited and Certified by INTERTEK for compliance with UL 471 and NSF 7.**



VMC12R



VMC18R

MODEL	Dimensions (mm)			Nº Shelves	Nº Doors	Exposure surface (m ²)	Cabinet volume (L)	Gross volume (L)	Temp. regime (°C)	Ref.
	Length	Depth	Height							
VMC9R	998	1103	1300	1	1	0,76	131	1431	0°C/+6°C	R452
VMC12R	1310	1103	1300	1	2	1,01	175	1878	0°C/+6°C	R452
VMC15R	1622	1103	1300	1	2	1,27	219	2326	0°C/+6°C	R452
VMC18R	1935	1103	1300	1	3	1,52	263	2775	0°C/+6°C	R452
VMC25R	2560	1103	1300	1	4	2,03	350	3671	0°C/+6°C	R452

MODELS: VMC9R VMC12R	VMC15R VMC18R	VMC25R	Mallorca series – Ventilated with storage.
---------------------------------------	--------------------------------	---------------	---

STANDARD FEATURES

Exterior

- Plastic coated steel exterior.
- Stratified polilaminate worktop.
- Enamelled exhibition steel surface.
- Curved tempered security glass system.

Interior

- Plastic coated steel interior.
- Enamelled steel base.
- (1) middle shelf (without light).
- LED lighting for exhibition surface.
- Storage door clearance of 425x255mm.

OPTIONAL

- Shelf LED lighting.
- Frontal decoration LED lighting.
- Sliding back doors.
- Stainless steel exhibition surface.
- Range of decoration colours (consult).
- Electrical connection 230 V / 1 ph / 60 Hz.
- Electrical connection 115 V / 1 ph / 60 Hz.

Insulation

- Insulation by free CFC's polyurethane, foam high-pressure injected with density 40 Kg/m³.
- Zero ODP and Low GWP.

Refrigeration

- Temperature and defrost regulated by a digital controller.
- Defrost end temperature control.
- Automatic defrost.
- Ventilated condensation system.
- Forced evaporation system.
- Stainless steel evaporative tray with double vat, one for hot gas and another with electrical heater.
- Climatic class 4 (30°C, 55%RH).

Electrical

- Electrical connection: 230 V / 1 ph / 50 Hz.

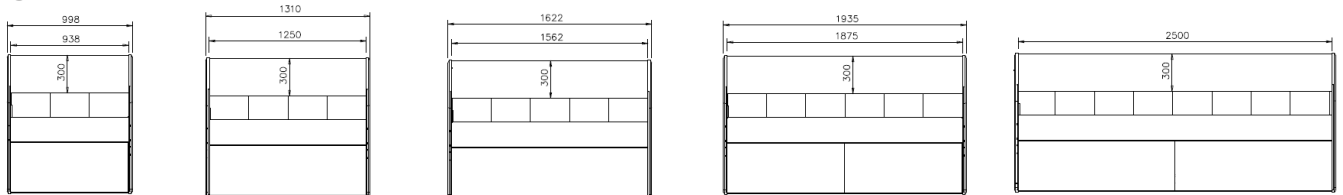


MODEL	Dimensions palletizing (mm)			Power (W)	Comp. (HP)	Cooling power (W at -10°C)	Consumption (kWh/24h)
	Length	Depth	Height				
VMC9R	1060	1200	1430	730	1/2	817	10,2
VMC12R	1372	1200	1430	980	5/8	1096	13,7
VMC15R	1684	1200	1430	1030	3/4	1315	14,4
VMC18R	1997	1200	1430	1260	1	1506	17,6
VMC25R	2622	1200	1430	1520	1 + 1/6	2009	21,3

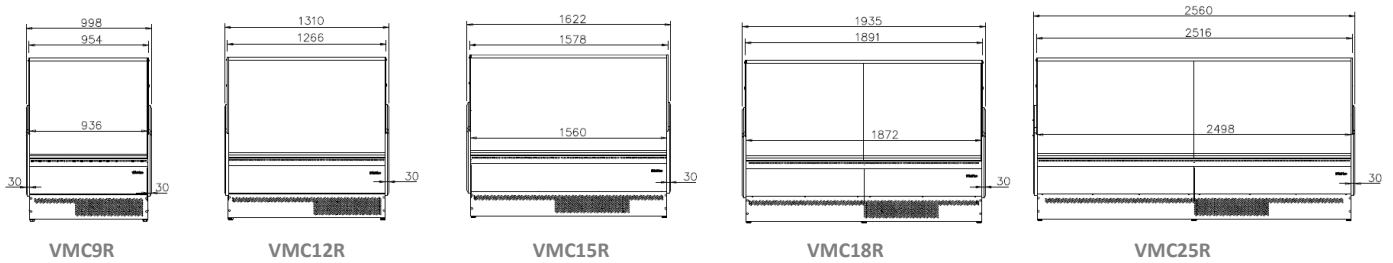
MODELS: VMC9R VMC12R VMC15R VMC18R VMC25R *Mallorca series – Ventilated with storage.*

GENERAL VIEW

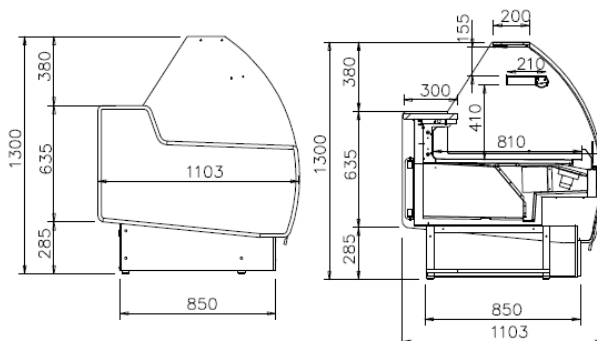
FRONT VIEW



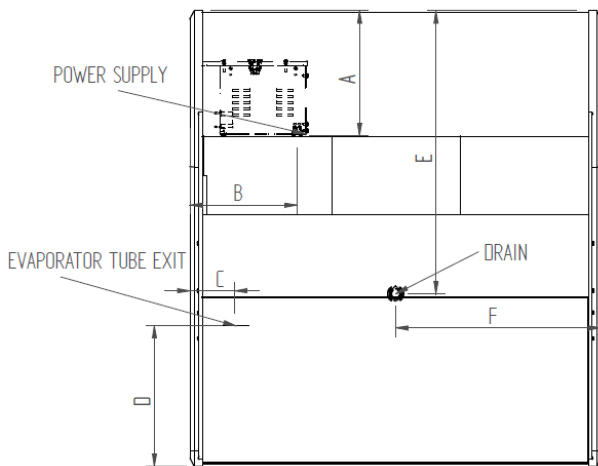
TOP VIEW



SIDE VIEW



CONNECTIONS



MODEL	A (mm)	B (mm)	C (mm)	D (mm)	E (mm)	F (mm)
VMC9R	303	260	108	341	687	500
VMC12R	303	260	108	341	687	625
VMC15R	303	260	108	341	687	781
VMC18R	303	260	108	341	687	938
VMC25R	303	260	108	341	687	1250