

MODELS:	VMD9R VMD12R	VMD15R VMD18R	VMD25R	<b>Madrid series– Refrigerated modular display case.</b>
---------	-----------------	------------------	--------	--



### Strengths

- ✓ *Combination of different cooling system modules: ventilated, half-static and static. Modules with or without cooled storage. Angles and counters to adapt the line to a space.*
- ✓ *Greater precision in temperature control. Easier to adjust the temperature range we want to achieve.*
- ✓ *All condenser units are tested 100%, in helium chambers to refrigerant leak detections.*
- ✓ *LED lighting incorporated, reducing energetic consumption between 80% and 90% respect to a traditional light bulb.*
- ✓ *Infrico is AENOR audited and certified by internationally recognized firm. ISO 9001:2015 (Quality); ISO 14001:2015 (Environmental); OSHAS 18001:2007 (Prevention and Worker Safety). Audited and Certified by INTERTEK for compliance with UL 471 and NSF 7.*

MODEL	Dimensions (mm)			Sides thickness (mm)	Nº Doors	Exposure surface (m <sup>2</sup> )	Cabinet volume (L)	Gross volume (L)	Temp. regime (°C)	Ref.	Net weight (Kg.)
	Length	Depth	Height								
VMD9R	938	1150	1290	30 + 30	1	0,52	131	1392	0°C/+6°C	R452	116
VMD12R	1250	1150	1290	30 + 30	2	0,69	175	1854	0°C/+6°C	R452	154
VMD15R	1562	1150	1290	30 + 30	2	0,87	219	2317	0°C/+6°C	R452	186
VMD18R	1875	1150	1290	30 + 30	3	1,04	263	2781	0°C/+6°C	R452	206
VMD25R	2500	1150	1290	30 + 30	4	1,39	350	3709	0°C/+6°C	R452	275

MODELS:	VMD9R VMD12R	VMD15R VMD18R	VMD25R	<b>Madrid series – Refrigerated modular display case.</b>
---------	-----------------	------------------	--------	---

## STANDARD FEATURES

### ➤ Modular line

- Different cooling system modules can be combined using complete dividers.
- Designed for meat and precooked and packaged foods, charcuterie, milk products and sandwiches.

### ➤ Exterior

- Plastic coated steel exterior.
- AISI 304 stainless steel worktop.
- AISI 304 stainless steel exposure surface.
- Lacquered DM decoration.
- Folding secured curved glass.

### ➤ Interior

- Plastic coated steel interior.
- Enamelled steel base.
- LED lighted middle shelf and exposure surface.
- Storage door clearance of 425x255 mm.

### ➤ Insulation

- Insulation by free CFC's polyurethane, foam high-pressure injected with density 40 Kg/m<sup>3</sup>.
- Zero ODP and Low GWP.

### ➤ Refrigeration

- Temperature and defrost regulated by a digital controller.
- Automatic defrost.
- Ventilated condensation system.
- Forced evaporation system.
- Stainless steel evaporative tray with double vat, one for hot gas and another with electrical heater.
- Climatic class 4 (30°C, 55%RH).

### ➤ Electrical

- Electrical connection: 230 V / 1 ph / 50 Hz.



### OPTIONAL

- Sliding back doors.
- Night curtains.
- Double plane (without storage).
- Lacquered frontal + sides.
- Range of decoration colours (consult).
- Electrical connection 230 V / 1 ph / 60 Hz.
- Electrical connection 115 V / 1 ph / 60 Hz.

MODEL	Dimensions palletizing (mm)			Pallet weight (Kg.)	Power (W)	Comp. (HP)	Cooling power (W at -10°C)	Consumption (kWh/24h)	Inten. (A)
	Length	Depth	Height						
VMD9R	1100	1210	1500	190	730	1/2	817	10,2	3,1
VMD12R	1340	1210	1500	200	980	5/8	1096	13,7	3,5
VMD15R	1700	1210	1515	240	1030	3/4	1315	14,4	5,1
VMD18R	2030	1200	1500	275	1260	1	1506	17,6	4,1
VMD25R	2660	1210	1550	416	1520	1 + 1/6	2009	21,3	5,7

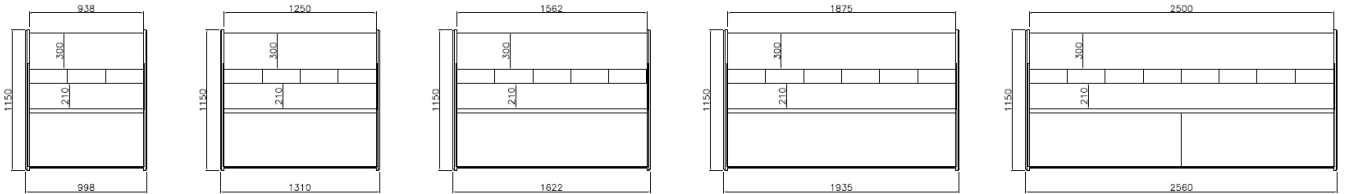
MODELS:	VMD9R VMD12R	VMD15R VMD18R	VMD25R	<b>Madrid series – Refrigerated modular display case.</b>
---------	-----------------	------------------	--------	---

## VISTA GENERAL

### FRONT VIEW



### TOP VIEW



VMD9R

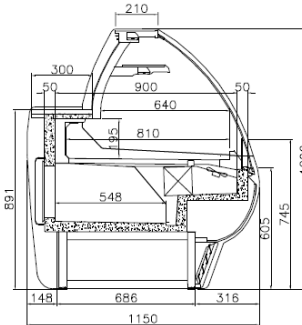
VMD12R

VMD15R

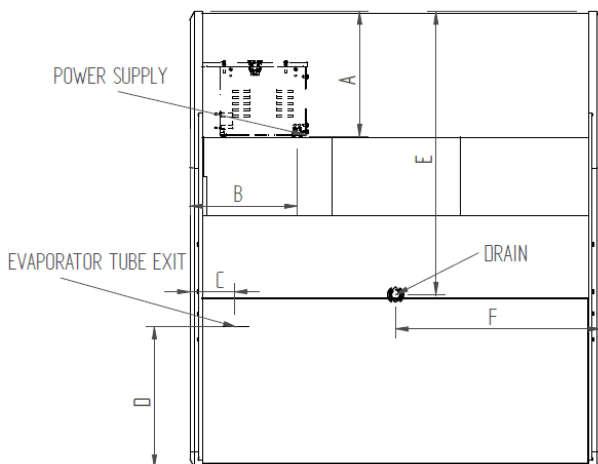
VMD18R

VMD25R

### SIDE VIEW



## CONNECTIONS



MODELOS	A (mm)	B (mm)	C (mm)	D (mm)	E (mm)	F (mm)
VMD9R	303	260	108	341	687	500
VMD12R	303	260	108	341	687	625
VMD15R	303	260	108	341	687	781
VMD18R	303	260	108	341	687	938
VMD25R	303	260	108	341	687	1250