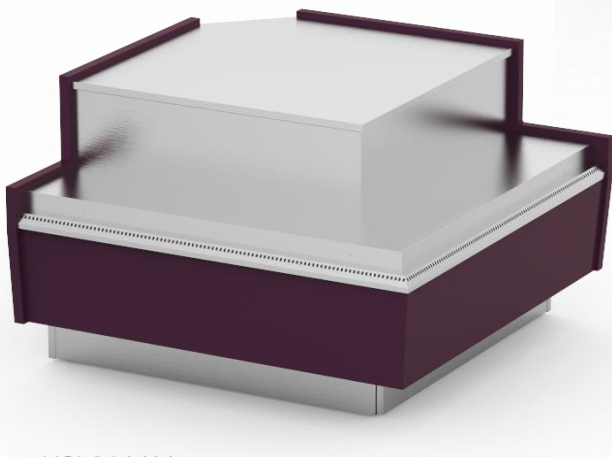


VGL90ACM



VGL90AAM

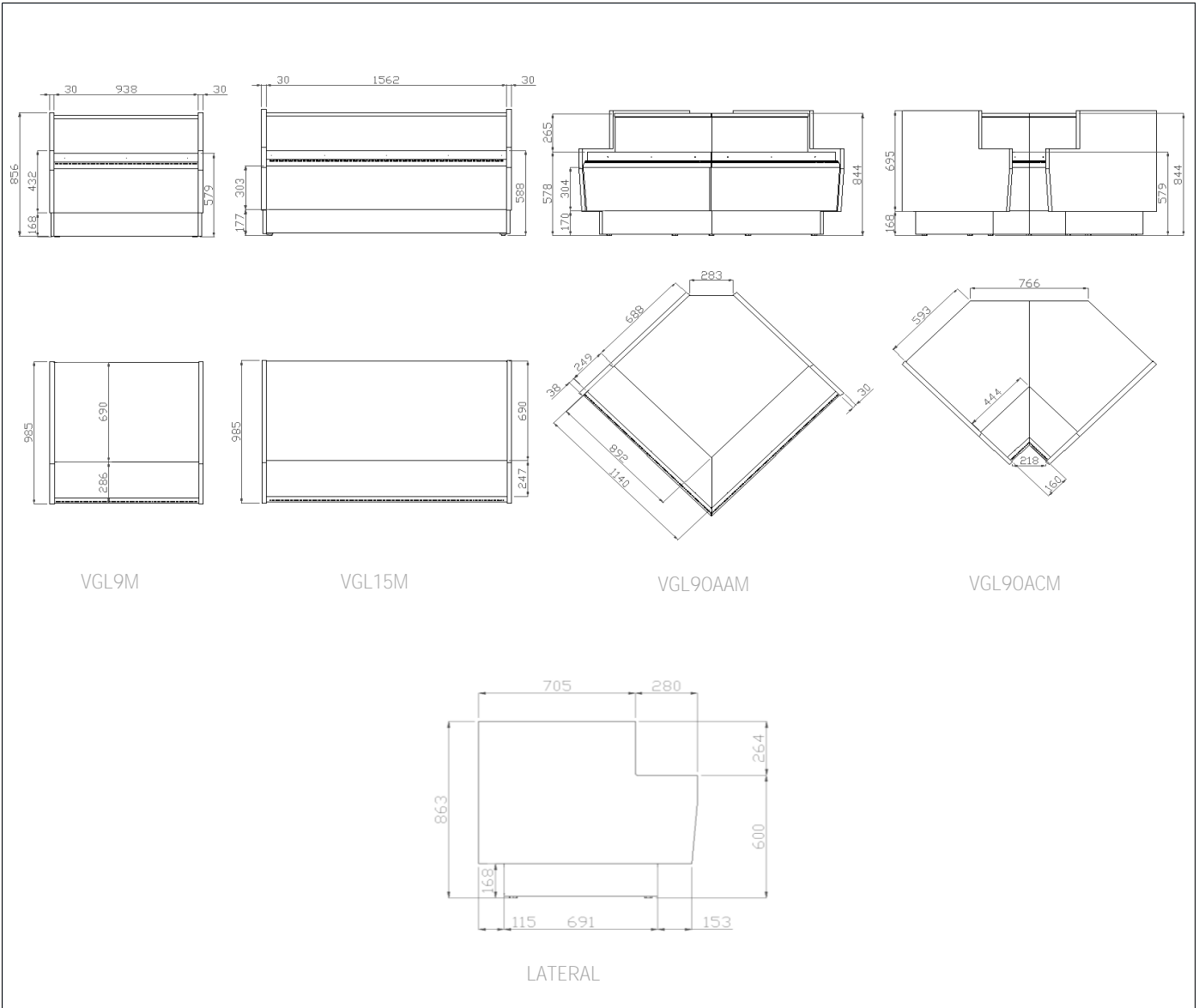


VGL15M

NUMBER	DTI-19602
MODEL	VGL_M
EDITION	0
DATE	22/04/2019
VERSION	00



MODEL
VGL_M
COUNTER CASE

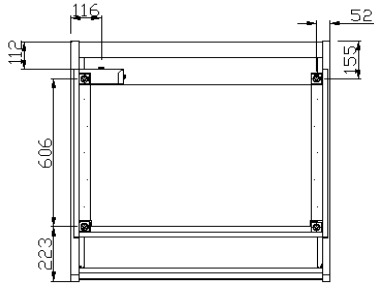


MERCHANDISING DATA

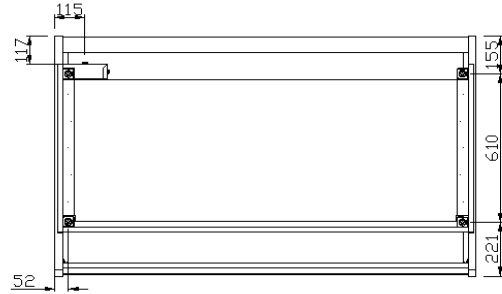
	MODELS			
	VGL9M	VGL15M	VGL90AAM	VGL90ACM
Length without sides (mm)	938	1562	1145	985
Sides thickness (mm)	30 + 30			
Refrigerant	-			
Exposition area (m ²)	0,88	1,46	1,31	1,12
Weight (kg)	130	140	165	150
Transport dimensions (mm)	1023 x 1080 x 1023	1647 x 1080 x 1023	1230 x 1240 x 1023	1070 x 1080 x 1023
Decoration lighting (W)	5	7	12	2

LEGS WHEELS	ELECTRIC BOX	
---------------	--------------	--

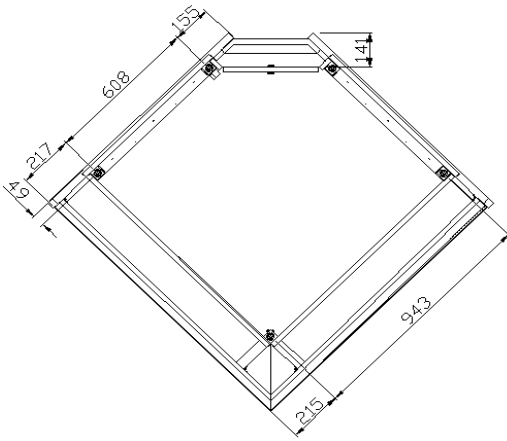
MODEL
VGL_M



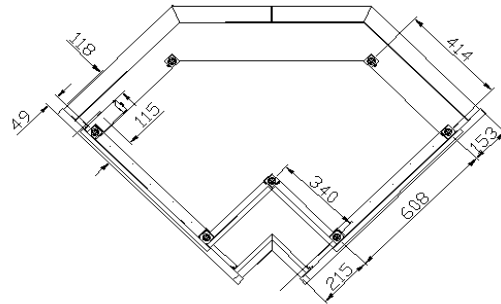
VGL9M



VGL15M



VGL90AAM



VGL90ACM

