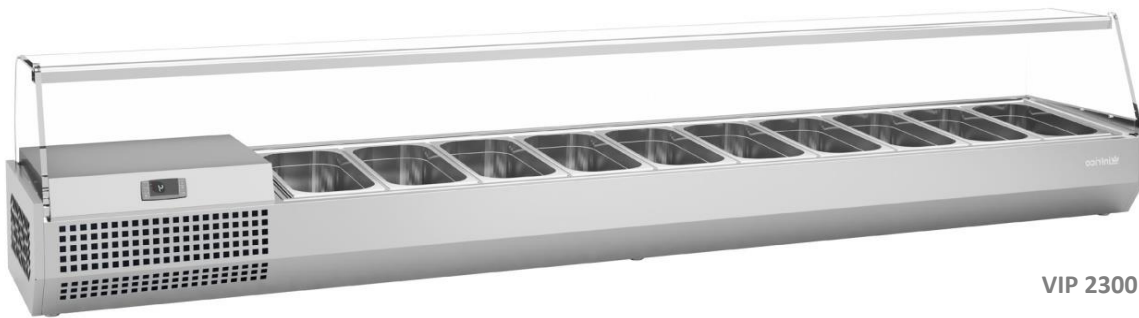




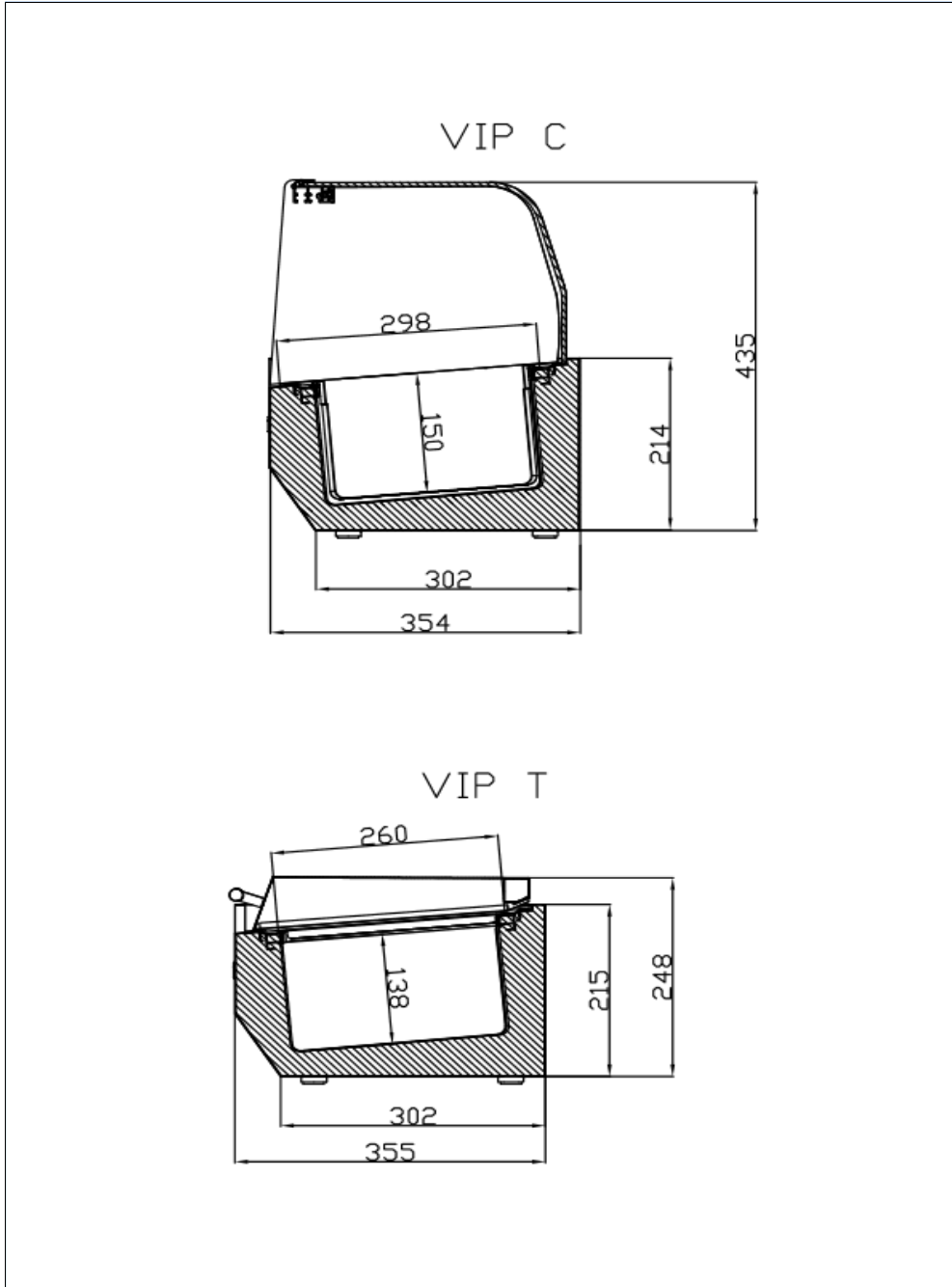
VIP 2300 B 1/4 T



VIP 2300 B 1/4 C

NUMBER	DTI-18510
MODEL	VIP 1/4
EDITION	0
DATE	01/04/2019
VERSION	00





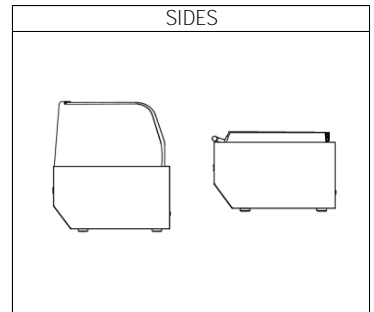
MODEL	
VIP_1/4	
MODULES	

Edition : 0 | Date: 01/04/2019

Code : DTI-18510

version: 00

In accordance with:  
EN ISO 23953



MERCHANDISING DATA

	MODELOS				
	VIP1330 B1/4	VIP1490 B1/4	VIP1740 B1/4	VIP1980 B1/4	VIP2300 B1/4
Length without sides (mm)	1328	1493	1733	1976	2300
Sides thickness (mm)	--				
Refrigerant	R-600				
Refrigerated area (m <sup>2</sup> )	0,20	0,24	0,31	0,37	0,45
Useful volume (lts.)	32	37	48	57	70
Nº of trays	1 1/2 3 1/4	6 1/4	1 1/2 5 1/4	1 1/2 7 1/4	1 1/2 9 1/4
Control	DIGITAL				
Weight (kg)	46-54	54-57	60	62-65	66-74
Dimensiones en transporte CRISTAL (mm)	1408x400x540	1600x400x540	1814x400x540	2080x400x540	2390x400x540
Dimensiones en transporte TAPA (mm)	1408x400x350	1600x400x350	1814x400x350	2080x400x350	2390x400x350

Volts / Frequency
220v / 50Hz.

NOISE LEVEL
63dB

REFRIGERANT
R-600a

MODEL
VIP 1/4

REFRIGERATION DATA - REGULATION AND CONTROL

INTERIOR TEMPERATURE	SET	-10°C
	DIFFERENCIAL	3°C
DEFROST TYPE	MANUAL	
Nº DEFROST / DAY	-	
MAXIMUM DEFROST TIME	-	
END DEFROST TEMPERATURE	-	
MINIMUM DEFROST TIME	-	

In accordance with EN ISO23953

Room Temperature	Relative humidity	Climate class
+30 °C	55 %	4

TEMPERATURE CLASSIFICATION

Climate class	4
PRODUCT TEMPERATURE	4°C-8°C
MEDIUM PRODUCT TEMPERATURE	5°C
EVAPORATION	COLD PLATE
CONDENSATION	VENTILATED
EVAPORATION TRAY	AUTOMATIC

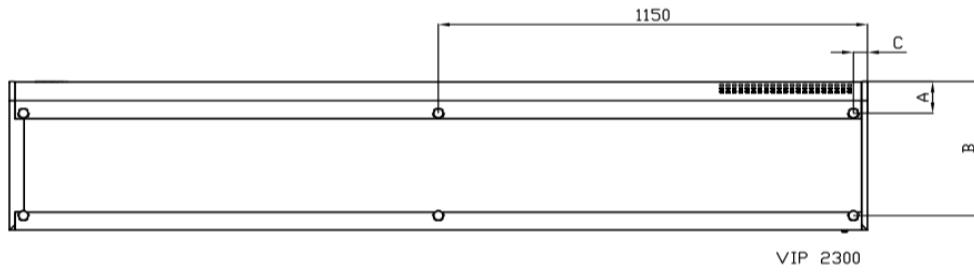
INSTALLATION BASE FURNITURE DATA

Length (mm)	Nº	MODEL				
		VIP1330	VIP1490	VIP1740	VIP1980	VIP2300
		B1/4	B1/4	B1/4	B1/4	B1/4
COMPRESSOR		1328	1493	1733	1976	2300
	Nº	1	1	1	1	1
	W	88,8	88,8	88,8	88,8	88,8
	A	0,44	0,44	0,44	0,44	0,44
REFRIGERANT		R-600a				
	gr	40	45	50	55	60
EVAPORATOR FANS	Nº	-	-	-	-	-
	W	-	-	-	-	-
	A	-	-	-	-	-
CONDENSER FANS	Nº	1	1	1	1	1
	W	29	29	29	29	29
	A	0,19	0,19	0,19	0,19	0,19
EVAPORATION RESISTANCE	W	-	-	-	-	-
	A	-	-	-	-	-
CANOPY LIGHTING	LED	W	-	-	-	-
	A	-	-	-	-	-
POWER	W	120	120	120	120	120
	A	0,8	0,8	0,8	0,8	0,8
CONSUMPTION	kWh/24h	0,77	0,82	0,82	0,93	1,31

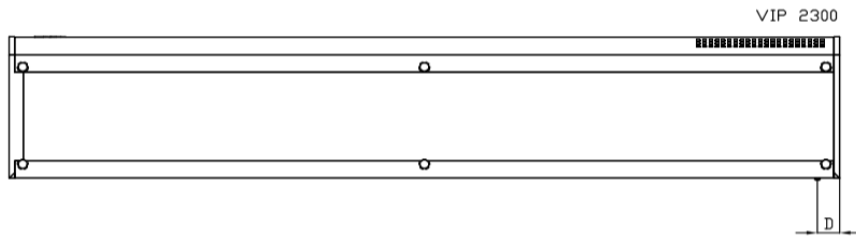
LEGS | WHEELS

MODEL

VIP\_1/4



ELECTRIC BOX



DATA TABLE

	A (mm)	B (mm)	C (mm)	D (mm)
VIP 1330	238	845	51	947
VIP 1490	238	845	51	660
VIP 1740	238	845	51	660
VIP 1980	238	845	51	660
VIP 2300	238	845	51	660